



THE NEW GLA.

Mercedes-Benz



## DYNAMIC ALL THE WAY.

Now more than ever, the new GLA combines innovative dynamic elegance with the typical off-road character of an SUV. Its terrain is the city, but the characteristic off-road design elements indicate that trips to the countryside also promise a huge amount of freedom and driving pleasure. Always surrounded by a state-of-the-art interior and classy materials. Off we go!



## CONFIDENT AND DYNAMIC APPEARANCE.

The new Mercedes-Benz GLA stands before you looking compact and powerful, combining sporty elegance with an SUV feel. The view from the side and rear is shaped by the muscular shoulder of the body and the dynamic line of the side windows. And with the longitudinally adjustable second seat row<sup>1</sup>, the space concept offers exceptional practical value.



<sup>1</sup>Optionally selectable equipment depending on configuration.

## MANY-FACETED PRESENCE.

Distinctive details such as the diamond radiator grille with pins in chrome and the new front and rear aprons are sure to catch your attention immediately. Likewise the striking look of the MULTIBEAM LED headlamps<sup>1</sup> and LED rear lamps. With the Night Package<sup>1</sup> or the AMG Line<sup>1</sup>, you can give even more individual expression to your sporty ambitions.



<sup>1</sup>Optionally selectable equipment depending on configuration.

## EXCITING AND EXPRESSIVE FROM EVERY PERSPECTIVE.

The new GLA impresses with a dynamically optimised design at the front and rear. A striking impression is also left by features such as the optional panoramic sliding sunroof<sup>1</sup>, large light-alloy wheels<sup>1</sup> and the new paint colour spectral blue<sup>1</sup>. And as soon as the doors open, the state-of-the-art interior takes command in terms of expressiveness.



<sup>1</sup>Optionally selectable equipment depending on configuration.

# MBUX.

The second-generation MBUX operating concept is now even more capable of learning and also welcomes you personally. With Touch Control buttons on the steering wheel and by using your voice, touch or gestures you can control the content on the 26 cm (10.25-inch) media display conveniently and intuitively.





## THE FOCUS IS ALWAYS ON THE CONVENIENCE OF OPERATION FOR YOU.

The new multifunction sports steering wheel with integrated Touch Control panels not only looks good, but also helps keep everything conveniently under control. The new design of the centre console and the practical multimedia connection unit with illuminated USB interfaces are sure to be seen as welcome additions to the high-quality interior.



## Driving assistance systems.

The driving assistance systems Active Lane Keeping Assist<sup>1</sup> and Active Brake Assist<sup>1</sup> have been optimised with new sensors and cameras, come as standard and relieve the burden on you in everyday life. Further support is also offered by improved systems such as Active Distance Assist DISTRONIC<sup>1,2</sup>, Blind Spot Assist<sup>1,2</sup> and Parking Assist<sup>1,2</sup>.

<sup>1</sup>Our driver assistance and safety systems are aids and do not relieve you of your responsibility as a driver. Please take note of the information in the Owner's Manual and the system limits which are described therein.

<sup>2</sup>Optionally selectable equipment depending on configuration.



## Plug-in hybrid model.

The advanced plug-in hybrid drivetrain in the GLA 250 e now impresses with higher electric output, improved electric range and further reduced charging times. The flexible combination of state-of-the-art four-cylinder petrol engine and innovative electric unit impresses with its efficiency, driving dynamics and range.



## Digital Extras.

With the Digital Extras and the corresponding Mercedes me Apps you experience added convenience, safety, driving enjoyment and digital support, because they provide you with important information and practical functions for your Mercedes, both in the vehicle and on your smartphone.<sup>1</sup>

<sup>1</sup>To use the Mercedes me connect services, you must create a Mercedes me ID and agree to the Terms of Use for the Mercedes me connect services. The services shown, along with their respective availability and functionality, are dependent in particular on the vehicle model, year of build, optional equipment chosen and country.



## MBUX Augmented Reality Navigation.

With MBUX Augmented Reality Navigation<sup>1</sup> you stay on the right track at all times, even in complex traffic situations. The system, available as an option, displays high-resolution graphical navigation and traffic information in live images and can help get you to your destination as safely and stress-free as possible.

<sup>1</sup>Optionally selectable equipment depending on configuration.





## New upholstery colours.

An attractive range of interior colours allows individual configuration of your new GLA as required. The Progressive Line, for example, presents itself in the three appointments colours black, macchiato beige and sage grey<sup>1</sup>. New colours are Bahia brown<sup>1</sup> and red pepper<sup>1</sup>, in conjunction with ARTICO man-made leather / MICRO CUT microfibre<sup>1</sup>.

<sup>1</sup>Optionally selectable equipment depending on configuration.

## New Burmester® surround sound system with Dolby Atmos®.

With this premium sound system<sup>1</sup> you can increase your driving pleasure in acoustic terms too, if you so wish. A speaker system that is precisely tuned to the vehicle interior offers dynamic music playback and includes, for example, a subwoofer with an output of 60 watts.

## New centre console.

The retractable cover for the stowage compartment in the centre console offers elegant protection from prying eyes in a high-quality material. This looks good, while the interior appears even neater and everything important is kept to hand. The practical stowage compartment can house typical everyday items such as smartphone, wallet or various keys.

<sup>1</sup>Optionally selectable equipment depending on configuration.

## Head-up display.

With the head-up display<sup>1</sup> the thrilling digital cockpit extends into the windscreen. This means that your full attention can be devoted to the road and the traffic in front of you without you missing important information or overlooking navigation instructions.



## Standard equipment.

SUV lifestyle for every day – even without a single tick on the options list. The hallmark SUV radiator grille with a wide louvre is a distinctive feature of the exterior of your GLA. Thanks to comfort suspension seats with the Seat Comfort Package you will have an especially comfortable journey. Numerous assistance systems also support you as you drive.

### HIGHLIGHTS ON THE EXTERIOR

Radiator grille with central Mercedes star and single louvre in silver with accents in high-gloss black

Exterior mirror housing in body colour

43.2 cm (17-inch) 5-twin-spoke light-alloy wheels (25R), aerodynamically optimised, painted in black and with a high-sheen finish

LED High Performance headlamps with Adaptive Highbeam Assist

### HIGHLIGHTS IN THE INTERIOR

Comfort suspension seats with upholstery in black ARTICO man-made leather / Bertrix fabric

Multifunction sports steering wheel in leather (L3E) including Touch Control panels left and right

Media display with 10.25-inch screen diagonal

Star Pattern trim

Door sill panels with “Mercedes-Benz” lettering

Stowage compartment in centre console with retractable cover (73B), double cup holder (310) and 12 V socket

Extended MBUX & MBUX Navigation Premium (PBG) functions

## Progressive.

With the Progressive equipment line<sup>1</sup> you can add highlights on and in your Mercedes in a targeted way. The visible tailpipe trims in chrome underscore the dynamic credentials of the SUV on the exterior. In the interior you have a larger selection of colours and materials to choose from for the seat covers.

### HIGHLIGHTS ON THE EXTERIOR

Radiator grille with central Mercedes star and single louvre in grey with trim insert in chrome and accents in high-gloss black

Side sill panels in black with grained finish with trim element in chrome

Polished aluminium roof railing

Simulated underguard at front and rear in chrome

Visible tailpipe trims in chrome

45.7 cm (18-inch) 5-twin-spoke light-alloy wheels aerodynamically optimised and finished in high-gloss black

### HIGHLIGHTS IN THE INTERIOR

Comfort suspension seats with optional upholstery in black ARTICO man-made leather / Bertrix fabric

Multifunction sports steering wheel in leather, in 3-spoke design incl. Touch Control panels left and right, as well as black grained steering-wheel gearshift paddles

Star Pattern trim, backlit

Roof liner in black fabric

<sup>1</sup>Optionally selectable equipment depending on configuration.



## AMG Line.<sup>1</sup>

Demonstrate that you value sportiness. The distinctive AMG Line styling is inspired by the expressive design language of Mercedes-AMG. Further elements in the interior such as the sports seats and the multifunction steering wheel in nappa leather reinforce this overall impression. The larger brake system supports sporty driving.

## DYNAMIC SELECT.

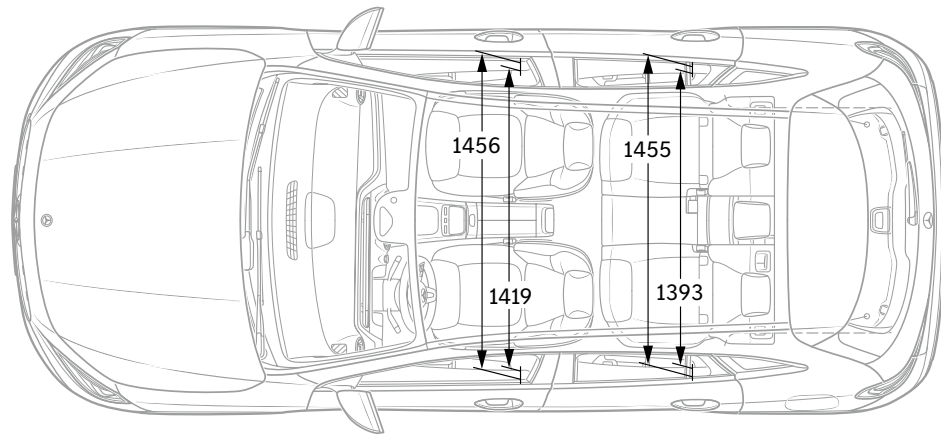
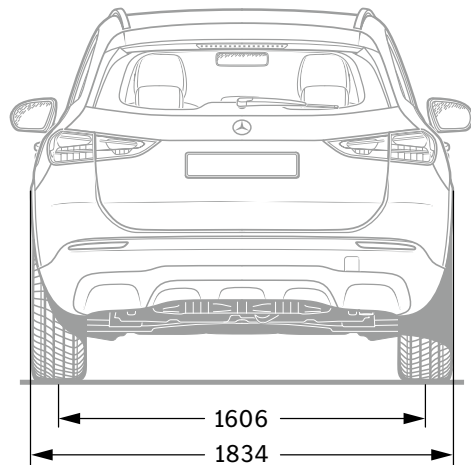
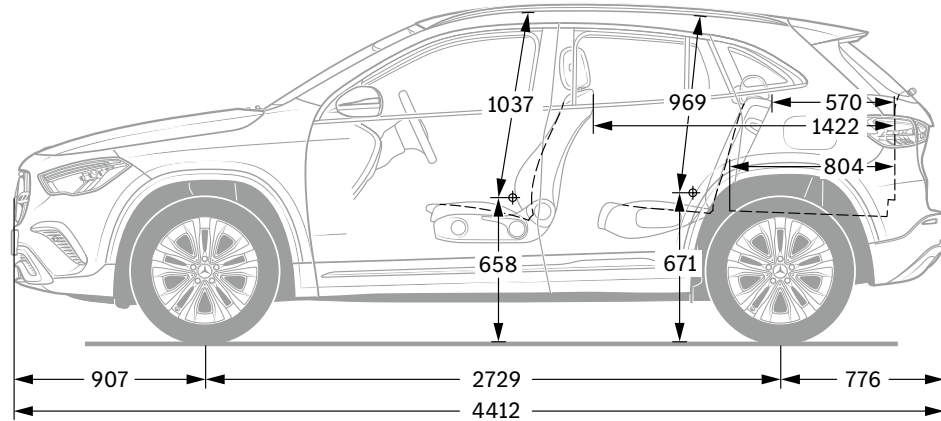
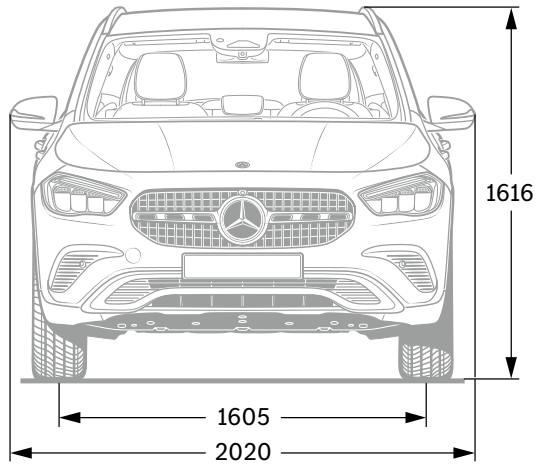
You decide how you drive. With the DYNAMIC SELECT drive programs, which call up preselected settings for the engine, transmission, suspension and steering at the press of a button. In “Sport” mode your driving style is dynamic, with “Comfort” it is more relaxed, while “ECO” focuses on efficiency. With “Individual” you set the parameters completely the way you want them.

## 48-volt system.

A second on-board electrical system has been established in the new GLA, in the form of the 48-volt system. The 48-volt battery increases the overall battery capacity. This means more electrical energy for innovative functions when stationary, such as climate control. More performance, more flexibility, more efficiency.

<sup>1</sup>Optionally selectable equipment depending on configuration.

# Dimensions.



All figures in millimetres. The dimensions shown are mean values. They are valid for vehicles with standard equipment and in unladen condition.