



THE CLA COUPÉ

Mercedes-Benz



## EXPRESS YOUR DRIVE.

The elegant silhouette of the CLA Coupé has always possessed a magically eye-catching allure. Now it's time to take a closer look at its latest features: discover the new front apron, the expressive radiator grille with Mercedes-Benz pattern and the LED headlamps featuring a new inlay design, for example. Added to this is a selection of new wheel designs with which to give expression to your individual style.





# YOUR FULLY DIGITALISED COMFORT ZONE.

The interior of the new CLA Coupé makes its mark with avant-garde architecture and a state-of-the-art control concept. The optimised interior comes as standard, along with the latest-generation MBUX multimedia system and the multifunction sports steering wheel in a new design, for example. Further individualisation is also possible, of course.



## CLA 250 E COUPÉ.

Enjoy trailblazing driving enjoyment combined with everyday practicality. The high-tech drive system combines the ability to drive with zero local CO<sub>2</sub> emissions that you get with an electric motor with maximum independence. You can recharge your plug-in hybrid conveniently at home, with a Mercedes-Benz Wallbox, for example (not included in scope of delivery).





## YOUR VERY SPECIAL SEAT OF EXCELLENCE.

In the AMG Line, the new CLA Coupé offers sports seats<sup>1</sup> with optimised lateral support and integrated head restraints – optionally in one of the new upholstery variants ARTICO man-made leather / MICROCUT microfibre in Bahia brown or ARTICO man-made leather in sage grey. The memory function<sup>1</sup> additionally allows you to save up to three different seat positions, which you can then select at your convenience.

<sup>1</sup>Optionally selectable equipment depending on configuration.

## SPORTY AND MUSCULAR EXTERIOR.

The athletic lines of the new CLA Coupé flow into the elegantly sporty GT rear end featuring a wide track and wheels fitted flush with the body contours. The modified rear bumper boasting a new diffuser look and the standard full LED rear lamps underscore the self-confident appearance and conjure up an emotional impression by day and night.





## Fully digital cockpit with latest-generation MBUX.

The central 26 cm (10.25-inch) media display combines with the optional 26 cm (10.25-inch) instrument display under a shared glass surface to create an impressive Widescreen Cockpit. And the latest generation of the MBUX multimedia system lends the CLA Coupé an even more digitalised, intelligent and individual character.



## Redesigned centre console.

Everything quickly to hand – and ready to use. The new centre console with stowage compartment offers more storage space and the controls have been arranged for even more intuitive use. The back-lit USB-C ports offer you and your passengers a convenient means of recharging your mobile devices. If so desired, the ports can be concealed behind an elegant cover.



## New light-alloy wheels.

Show off your individual style: in conjunction with the AMG Line<sup>1</sup>, for example, with aerodynamically optimised 48.3 cm (19-inch) multi-spoke light-alloy wheels<sup>1</sup>. Or with the likewise aerodynamically optimised 43.2 cm (17-inch) light-alloy wheels in a 5-twin-spoke design that come as standard.

<sup>1</sup>Optionally selectable equipment depending on configuration.



## Open-pore black ash wood trim.

The trim gives your interior an individual look. It blends in harmoniously while also creating dramatic contrasts, thereby reinforcing and emphasising the interior design. At the same time, the trim is an enduring quality attribute of a meticulously crafted premium product.



## Panoramic sliding sunroof.

Whether open or closed: with the panoramic sliding sunroof, you experience a wonderful feeling of freedom and enjoy a pleasantly bright ambience in the interior. When viewed from the outside too, the large sliding sunroof makes a unique visual impression, as it lends lightness and exclusivity to the exterior.

<sup>1</sup>Optionally selectable equipment depending on configuration.



## Burmester® surround sound system with Dolby® Atmos.

With 12 speakers and a system output of 590 watts, the legendary Burmester® surround sound in Dolby® Atmos quality also stands for high-end performance and exclusivity. The speakers, which sport an elegant logo, deliver a first-class surround sound which you can optimise specifically for the front and rear seats.<sup>1</sup>





## Standard equipment.

Expressive and stylish – even without a single optional extra. Elegant details define the exterior of your CLA. Thanks to comfort suspension seats with Seat Comfort Package you can travel in truly relaxed style. Numerous assistance systems also support you as you drive.

<sup>1</sup>Optionally selectable equipment depending on configuration.



## Progressive.

The Progressive equipment line allows you to add just the highlights you desire on and in your Mercedes. The visible tailpipe trims underscore the vehicle's dynamic character, for example. Trim elements in a dark carbon-fibre look add flourishes in the interior too. A choice of seat covers in various colours and materials is also available.<sup>1</sup>

<sup>1</sup>Optionally selectable equipment depending on configuration.



## AMG Line.

Demonstrate that you value sportiness. The distinctive AMG Bodystyling gives your Mercedes a closer resemblance to the AMG models. Further elements in the interior, such as the sports seats with integrated head restraints, reinforce the expressive overall impression. The larger brake system supports sporty driving.<sup>1</sup>

<sup>1</sup>Optionally selectable equipment depending on configuration.



## Night Package.

The Night Package features various visual highlights: the rear apron trim, the visible tailpipe trims and the exterior mirror housings come in black, for example. This underscores your vehicle's sporty character, while also demonstrating your penchant for expressive design and individuality.<sup>1</sup>

<sup>1</sup>Optionally selectable equipment depending on configuration.



The drives of the new CLA Coupé.



48 V technology.

To increase efficiency and resultant reductions in fuel consumption, 48 V technology is now used in all petrol engines. This technology operates the belt-driven starter alternator and also delivers additional power and torque very rapidly.

# IN FOR THE THRILL. MERCEDES-AMG CLA COUPÉ.

The new editions of the Mercedes-AMG CLA 35 4MATIC and Mercedes-AMG CLA 45 S 4MATIC+ bear out their reputation as expressive design icons once again. Both now sport the AMG-specific radiator grille with vertical struts, the AMG emblem on the bonnet and the AMG front apron as clear tokens of their allegiance to the AMG Performance family. They also boast more sharply defined headlamps, new AMG light-alloy wheels and rear lamps in a new design.

[www.mercedes-amg.com](http://www.mercedes-amg.com)



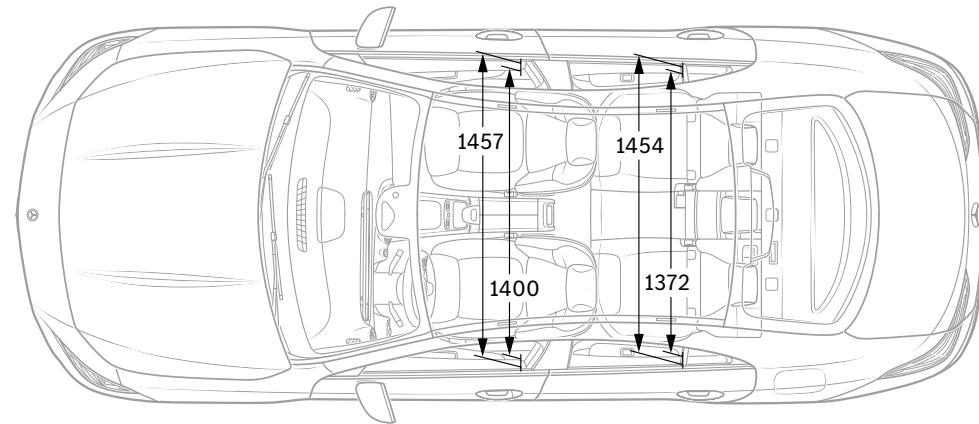
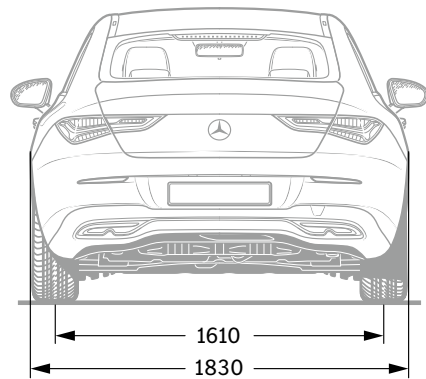
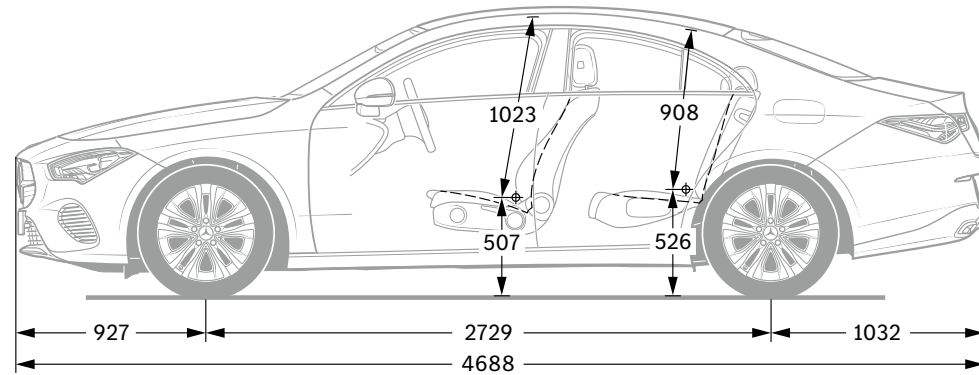
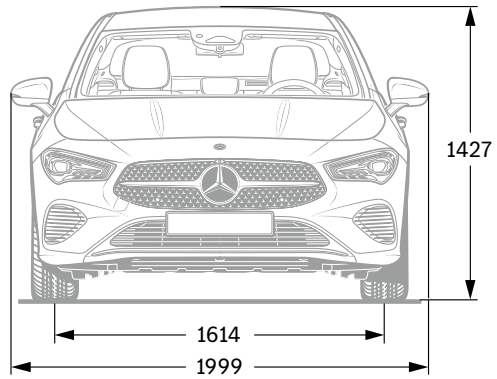
Mercedes-AMG CLA 35 4MATIC (combined fuel consumption 9–8.7 l/100 km, combined CO<sub>2</sub> emissions 205–196 g/km.)<sup>1</sup>

<sup>1</sup>The stated figures are the determined “WLTP CO<sub>2</sub> figures” pursuant to Article 2 No. 3 of Implementing Regulation (EU)2017/1153. Fuel consumption figures have been calculated on this basis.



AMG

# Dimensions.



All figures in millimetres. The dimensions shown are mean values. They are valid for vehicles with standard equipment and in unladen condition.