

The GLB



Mercedes-Benz





Open for what's next.

Nothing stays the same. The world is changing ever faster and is full of opportunities. Everything is possible if you're open – and have a car that goes along with virtually anything. Experience freedom like never before: discover the new GLB from Mercedes-Benz.



Freedom in its most beautiful form.

Every line, every detail of the distinctive SUV design has one job to do: give you maximum freedom. The GLB is the first of its kind to redefine space so generously. At all times it puts you in a position to do whatever you feel like, or not. A grand design for all those who have big plans.



Comfort gains. In size.

Stay flexible and make yourself comfortable. In conjunction with the optional third seat row, the second seat row which is longitudinally adjustable on request gives you the kind of space that fits your life perfectly – and thanks to climatized seats and lots of other convenient features you always stay in your comfort zone.

Foresighted. In all directions.

The new GLB knows what's coming – even away from the roads. The GLB's safety concept ensures that you move confidently on any ground. Its off-road program optimises traction on dirt tracks or loose surfaces – and adapts its performance and ABS control away from tarmacked roads.





Opens up opportunities. Intuitively.

The new MBUX multimedia system keeps you updated at all times. Not only is it child's play to operate; it also boasts versatile adaptability. Simply follow your intuition – and connect with the world and all those you hold dear.



Made for new experiences.

Curiosity drives us. Curiosity for what's to come. And it's good when you don't have to worry about the latest idea being a good match for your car and vice versa – you can just drive off. Discover the new GLB: with the second seat row which can be longitudinally adjusted on request and has up to seven seats as an option you always stay flexible. No matter what you're currently planning to do with your life – or what your life has in store for you.



Head-up display.

The best outlook for sporty driving enjoyment and an assured driving experience: the head-up display transforms your windscreen into a stunning digital cockpit. As such you always have a direct view of key information. Your full attention remains on the road and the traffic conditions in front of you.

Driving Assistance package.

Hit the road to autonomous driving: state-of-the-art systems assist you in many situations with adjusting the speed, steering, changing lanes, and even when there is a danger of a collision. The risk of an accident is reduced – passengers and road users are effectively protected. This way you are able to reach your destination relaxed and safe.



LINGUATRONIC Voice Control System.

The natural voice control can also be extended to Mercedes-Benz online services – such as for weather info or the Internet Radio, it also controls vehicle functions such as climate control or seat heating.

Ease of operation.

Freedom of choice – several input options always lead to the same result: touchscreen, direct control buttons for media, navigation and telephone, touch-control buttons on the steering wheel, touchpad or extended voice recognition.



3rd seat row for 2 people with longitudinal adjustment of the second seat row.

The seat range and the load capacity of your vehicle are as variable as your life is exciting. If necessary you can move the entire rear seat bench forward by 140 mm and thus significantly enlarge either the load compartment or the legroom in the rear. The third seat row for up to two additional passengers can be quickly folded up or down at any time. Make use of the flexibility as you need it – depending on whether you want to take more passengers or extra luggage with you.



MULTIBEAM LED and front fog lamps.

Perfect visibility for you: the adaptive MULTIBEAM LED headlamps have individually controllable LEDs that react to the traffic situation. Partial main beam omits other road users without dazzling them. And the cornering and active light functions illuminate the field of vision optimally so that you can detect dangers sooner. The front fog lamps distribute the light more widely than the main headlamps and therefore illuminate peripheral areas better.

Standard equipment and appointments.

The GLB impresses with its high functionality – even without a single tick in the options list. Examples include the rear seats which can be folded in a ratio of 40/20/40 and feature backrest inclination, and the height-adjustable load compartment floor. Its high standard of safety is reflected in the Active Brake Assist.

The Style design and equipment line.

With the Style design and equipment line your car stands out from the standard equipment – with a high-quality appearance inside and out. This includes additional features such as the specific and aerodynamically optimised 17-inch light-alloy wheels plus upholsteries and topstitching which are exclusive to the line.

The Progressive design and equipment line.

The Progressive design and equipment line substantially enhances your car. Added value you can see and feel. Enjoy high-end technology and experience the unique, expressive SUV lifestyle. In addition, the line opens up further attractive combinations both inside and out – for example with the Leather package and Night package.

The AMG Line.

The AMG Line enhances the attractive sporty presence of your vehicle both on the exterior and the interior. The AMG bodystyling and the diamond radiator grille with a single louvre, in particular, are exclusive features. The sports seats promise optimum seating comfort behind the sports steering wheel, in fine nappa leather, with a flattened bottom section. Your driving experience, meanwhile, is intensified by the Direct-Steer system.





DYNAMIC SELECT.

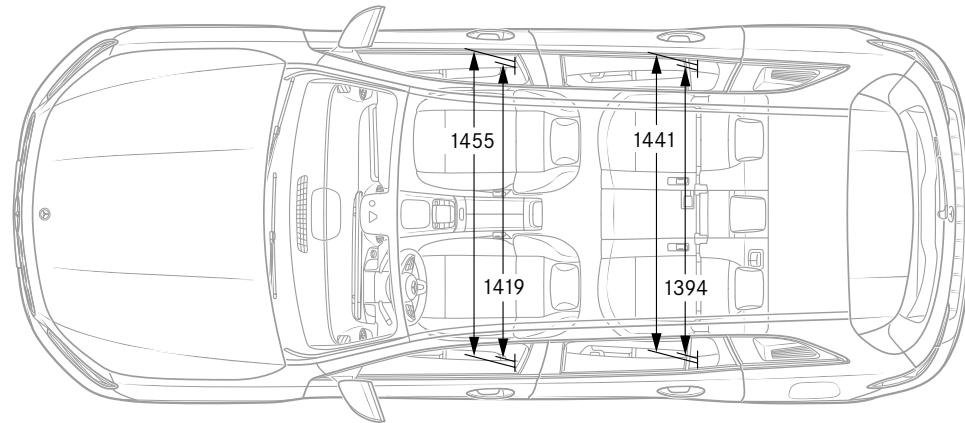
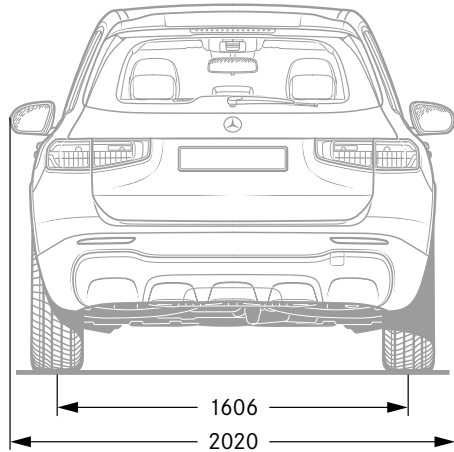
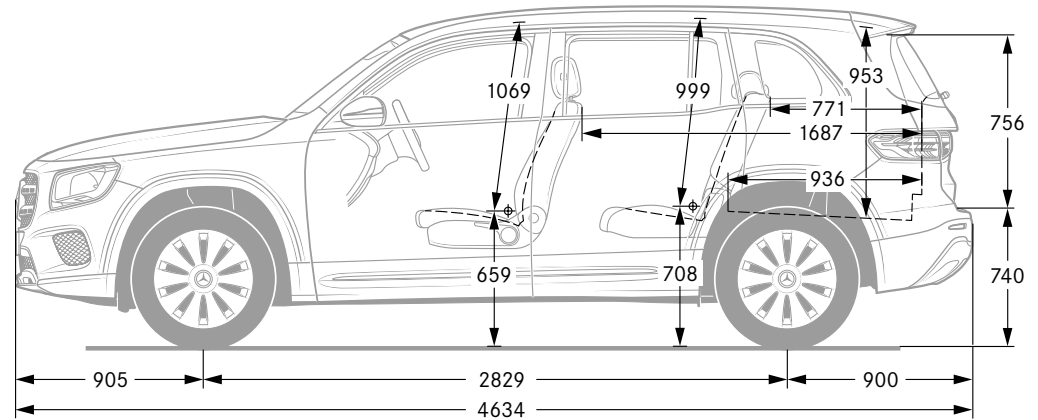
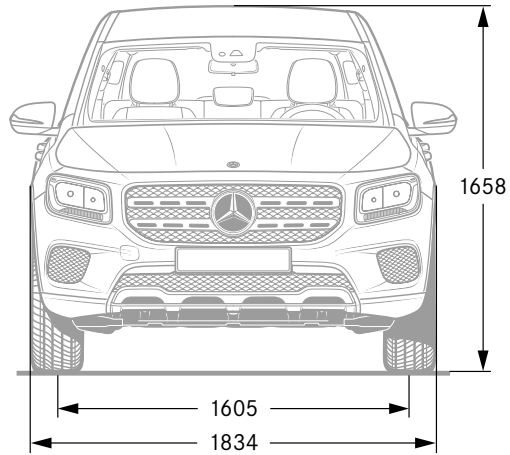
Just drive as you want to. At the press of a button DYNAMIC SELECT offers different drive programs with setting options for the engine, transmission, chassis and steering, for instance. In “Sport” mode the vehicle is more dynamic and in basic “Comfort” mode its setup is very balanced. “ECO”, on the other hand, places the emphasis on maximum efficiency and saves fuel and money.



Comfort suspension.

Enjoy a high level of comfort on long motorway stretches while tackling tight curves with sporty flair. The balanced comfort suspension provides an impressive mix of responsive suspension reserves with excellent driving stability. This makes your driving safe while at the same time providing a great deal of driving pleasure.

Dimensions.



All figures in millimetres. The illustrated dimensions are mean values. They are valid for vehicles in basic specification and in unladen condition.