

The new S-Class Saloon



Mercedes-Benz

The best or nothing.





Cares for what matters

The new Mercedes-Benz S-Class Saloon stands for poised assurance and responsibility. A personality with a sense of awareness that is there for you at every level, working with you and thinking ahead, always with your wellbeing at heart. A partner that you can rely on and in which you can confidently put your trust. Get on board.



Modern aesthetics and generous luxury in ideal harmony

Reduced to the essentials. The exterior design, the design idiom of sensual purity in its most contemporary form. In profile with perfect proportions, flush door handles and new wheels. The distinctive front section with pioneering DIGITAL LIGHT (Optional Equipment) headlamps and the tail end with two-section lamps, emphasizing the car's width.



An interior to inspire

The new S-Class blends exquisite materials with fine surfaces and a progressive design. A showcasing of high-tech features and infotainment with intuitive operation.

With the 64 colours of the active ambient lighting, exciting colour schemes are created which can alternate dynamically or illuminate areas in different colours. (Optional Equipment for S 450 4MATIC)

Always ready for you

Extended intelligent safety systems such as the Driving Assistance Package offer maximum comfort and convenience, while also engendering added trust.

The new headlamp technology DIGITAL LIGHT also points in this direction, while innovative airbags in the backrests of the front seats make travelling in the rear safer. (Optional Equipment)





Wellness at the touch of a button

The new S-Class can fulfil many wishes, meaning that you climb out more relaxed than when you climbed in. Look forward to discover the seat massages with multicontour seats. The top-quality sound to match always comes from the Burmester® high-end 4D surround sound system. (Optional Equipment)



The Mercedes-Benz S-Class remains beyond compare

The new Mercedes-Benz S-Class is on the road to the future with the ultimate in driving refinement. The expressive design, unique convenience and safety technologies, the pioneering digital cockpit with the infotainment system MBUX as well as luxurious materials enable a driving experience the like of which has never been seen before in a car.



Digital cockpit

The combination of 3D cockpit display, MBUX head-up display with augmented reality (Optional Equipment) in the front windscreen and the central OLED touch display represents an innovative and at the same time intuitive control concept. Thanks to the MBUX voice control the new S-Class can adapt to your requirements and support you.



Rear comfort highlights

Inspiration and first-class feel-good comfort for the second row. Move the Executive seat with the leg rest into a pleasant position for sleeping. Relieve tension in the neck and shoulders with the heated cushion. Or relax as you work with the MBUX rear tablet, while also controlling the various comfort and entertainment functions. (Optional Equipment)



Active ambient lighting

(Optional Equipment for S450 4MATIC)

You experience a technological leap here with the active ambient lighting. It combines aesthetics with innovative driver information and extended functions. Light strips and trim elements all the way round meld to form an additional level of lighting. This also supports driving assistance systems visually and thus emphasises the intelligence of your vehicle.



MBUX Augmented reality head-up display

(Optional Equipment)

The MBUX augmented reality head-up display turns the windscreen into an extension of the digital cockpit. Transparent projections onto the windscreen augment the driver's field of vision with relevant information about the current driving situation. In this way the new S-Class is able to provide the driver with all key information, without them having to take their eyes off the road.



Automatic door handles

Flush, automatically extending door handles in an elegant design are available upon request in conjunction with the electronic drive access authorisation system KEYLESS-GO. The doors can be locked and unlocked keylessly, by touching the door handles.



New rims

The wheel range for the new S-Class Saloon includes high-quality light-alloy wheels in sizes 48.3 cm (19 inches) to 53.3 cm (21 inches) (Optional Equipment), depending on the precise specification. The stylish sportiness of the vehicle is given additional emphasis with the modern wheel design, wide track and flush wheels.



Standard equipment and appointments

Cutting-edge technology, a high level of comfort and exceptional luxury – this is what the Mercedes-Benz S-Class stands for. It already demonstrates this claim with its standard equipment. Examples include the Driving Assistance Package and MULTIBEAM LED.

The interior is also fully in keeping with the vehicle's status, with leather seats, ambient lighting and MBUX infotainment.



AMG Line (Optional Equipment)

With the AMG Line you are making a clear statement on dynamism, both inside and out. The AMG front apron in an A-wing design underscores the expressive character of your vehicle. In addition, the multifunction sports steering wheel in nappa leather with flattened bottom section, the AMG pedal assembly and AMG floor mats lend your interior sporty highlights.



The Night Package

(Optional Equipment)

With the Night Package your sporty exterior looks even more expressive. As part of this, numerous elements are retained in high-gloss black. Depending on the paint finish, this creates contrasts or flowing transitions. In each case your vehicle gains individuality.

Only in conjunction with AMG Line at extra cost.



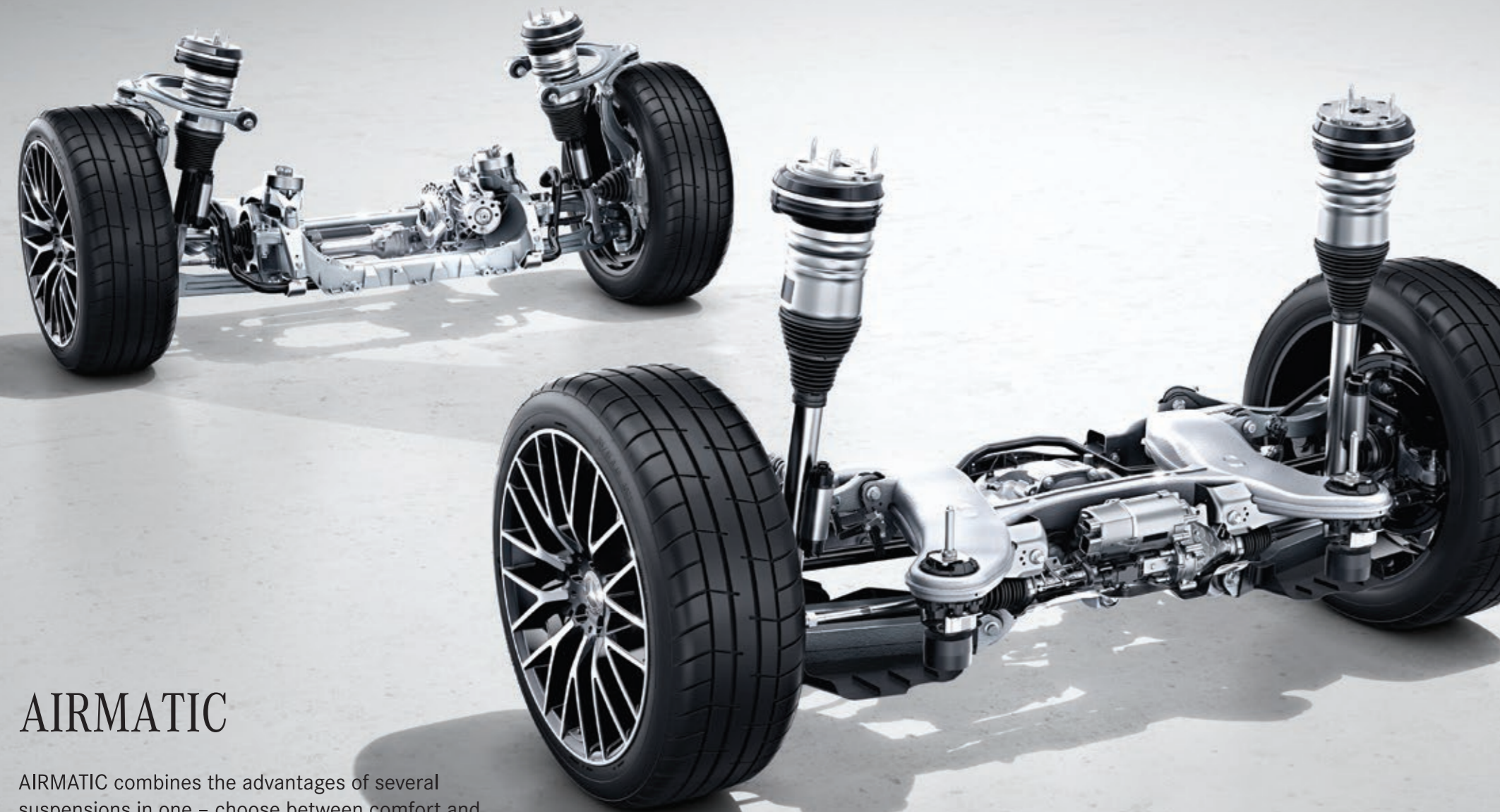
The Exclusive Package

(Optional Equipment)

Enjoy a fantastic atmosphere with the Exclusive Package. Virtually all surfaces are finished in exquisite nappa leather, the roof liner in high-quality DINAMICA microfibre. This exceptional high-class appeal is perfectly complemented by additional trim elements.

AIRMATIC

AIRMATIC combines the advantages of several suspensions in one – choose between comfort and dynamism. The set-up range is particularly impressive. The air suspension provides outstanding ride comfort even on difficult surfaces or during powerfully sporty performance. Practical: the level control system based on the vehicle load.



Rear axle steering

(Optional Equipment)

You enjoy no fewer than three advantages with the rear axle steering: even more confident roadholding, considerably increased agility and, last but not least, better manoeuvrability – for example when parking. The rear wheels steer against or in the same direction as the front wheels depending on the driving speed. You can also enjoy two steering angle, 4.5 or 10 degrees, as an option equipment.





Smartphone integration

Smartphone Integration connects the mobile phone with the multimedia system wirelessly via Apple CarPlay™ or Android Auto™. This gives you convenient access to the most important apps on your smartphone. You can also use apps from third-party providers such as Spotify quickly and easily.



Wireless charging system for mobile devices in the front and rear

Driving time becomes charging time: avoid annoying cable clutter and simply place your smartphone in the integral mobile phone cradle in the centre console to charge it.

Charge compatible mobile phones conveniently and without cables, even in the rear: the stowage compartment between the seats is also an inductive charging area. All mobile devices which use the Qi standard are supported.



Ambient lighting with projection of brand logo

A function which also appeals to your emotions: the surround lighting projects the brand logo using LED technology in the entrance area in front of the driver and front passenger. The not only showcases an attractive eye-catching feature in the dark, but also enables you to get in and out more conveniently with the additional light.



Panoramic sliding sunroof

Whether open or closed, with the panoramic sliding sunroof you experience a wonderful feeling of freedom and enjoy a pleasantly bright ambience in the interior. When viewed from the outside, the large sliding sunroof likewise makes a unique visual impression, as it lends lightness and exclusivity to the interior.



Burmester® 3D surround sound system

(Optional Equipment for S 450 4MATIC)

Experience greater audio performance with exquisite Burmester® sound. The high-quality speakers achieve impressive surround sound. You can specifically optimise this for the front and rear seats to intensify the listening experience. The unmistakable Burmester® speaker covers also enhance the interior visually.



Digital light

(Optional Equipment)

Digital light is optimally adjusted to other road users and to the surrounding conditions at all times. What is more, the HD system harnesses the combined power of more than one million pixels per headlamp to support you in facing any challenge. All with an unprecedented level of precision at all times.



Paintwork

Non-metallic paints

040 Black

Metallic paints

197 Obsidian black

346 Onyx black

660 Rubellite red*

831 Graphite grey

859 Mojave silver

922 High-tech silver

989 Emerald green#

998 Anthracite blue#

Designo paints (optional)

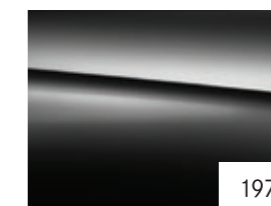
799 Designo diamond white bright | HK\$9,500 (pre-tax)

Non-metallic paints



040

Metallic paints



197



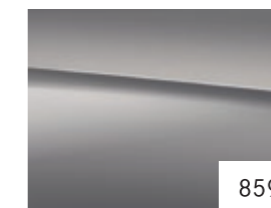
346



660



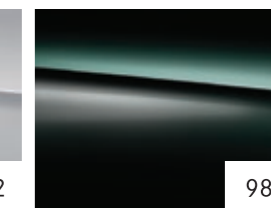
831



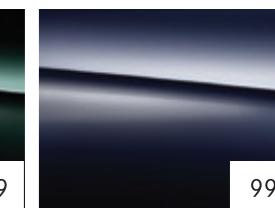
859



922



989



998

Designo paints



799

*Not in conjunction with optional upholstery 804 and 504

Not in conjunction with optional upholstery 507

Colors for reference only.

Wheels

S 450 4MATIC

77R 19" 5-twin-spoke light-alloy wheels painted in vanadium silver

S 450 4MATIC (Optional)

R16 19" multi-twin-spoke light-alloy wheels painted in thulium silver (Not in conj with 216) | HK\$6,500 (pre tax)

R42 20" multi-twin-spoke light-alloy wheels aerodynamically optimised, painted in black with a high-sheen finish | HK\$20,000 (pre tax)

R55 19" 5-twin-spoke light-alloy wheels aerodynamically optimised, painted in black with a high-sheen finish | HK\$8,300 (pre tax)

R60 19" multi-twin-spoke light-alloy wheels aerodynamically optimised, painted in black with a high-sheen finish | HK\$8,300 (pre tax)

RVQ 20" AMG multi-spoke alloy wheels painted in himalayas grey with a high-sheen finish (Only in conj. with 950 at extra charge, not in conj with 216) | HK\$13,500 (pre tax)

RVU 20" AMG multi-spoke alloy wheels painted in himalayas grey with a high-sheen finish (Only in conj. with 216, 950 at extra charge) | HK\$13,500 (pre tax)

10R 19" multi-twin-spoke light-alloy wheels aerodynamically optimised, painted in black with a high-sheen finish (Not in conj with 216) | HK\$6,500 (pre tax)

15R 19" multi-twin-spoke light-alloy wheels painted in thulium silver | HK\$8,300 (pre tax)

S 450 4MATIC



77R

S 450 4MATIC (Optional)



R16



R42



R55



R60



RVQ



RVU



10R



15R

S 500 4MATIC



R42

S 450 4MATIC and S 500 4MATIC (Optional)



R51



R73



RVR



RVV



RWK



RWN



17R



60R

S 500 4MATIC

R42 20" multi-twin-spoke light-alloy wheels aerodynamically optimised, painted in black with a high-sheen finish

S 450 4MATIC and S 500 4MATIC (Optional)

R51 20" 10-twin-spoke forged wheels (Not in conj with 216)
S 450 4MATIC | HK\$48,000 (pre tax)
S 500 4MATIC | HK\$27,500 (pre tax)

R73 20" 10-twin-spoke forged wheels
S 450 4MATIC | HK\$46,000 (pre tax)
S 500 4MATIC | HK\$25,500 (pre tax)

RVR 20" AMG multi-spoke alloy wheels painted in high-gloss black with a high-sheen finish (Only in conj. with 950 at extra charge, Not in conj with 216)
S 450 4MATIC | HK\$17,500 (pre tax)
S 500 4MATIC | HK\$3,800 (pre tax)

RVV 20" AMG multi-spoke alloy wheels painted in high-gloss black with a high-sheen finish (Only in conj. with 216, 950 at extra charge)
S 450 4MATIC | HK\$17,500 (pre tax)
S 500 4MATIC | HK\$3,800 (pre tax)

RWK 21" AMG multi-spoke light-alloy wheels painted in himalayas grey with a high-sheen finish (Only in conj. with 950 at extra charge, Not in conj with 216)
S 450 4MATIC | HK\$27,000 (pre tax)
S 500 4MATIC | HK\$9,600 (pre tax)

RWN 21" AMG multi-spoke light-alloy wheels painted in high-gloss black with a high-sheen finish (Only in conj. with 950 at extra charge, Not in conj with 216)
S 450 4MATIC | HK\$30,500 (pre tax)
S 500 4MATIC | HK\$13,500 (pre tax)

17R 20" multi-spoke light-alloy wheels painted in matt black with a high-sheen finish (Not in conj with 216)
S 450 4MATIC | HK\$25,500 (pre tax)
S 500 4MATIC | HK\$5,800 (pre tax)

60R 20" multi-spoke light-alloy wheels painted in matt black with a high-sheen finish
S 450 4MATIC | HK\$23,500 (pre tax)
S 500 4MATIC | HK\$3,800 (pre tax)

Photos for reference only.

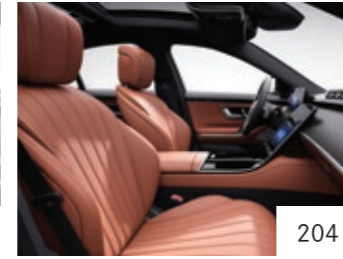
Photos for reference only.

Upholstery

Leather



201

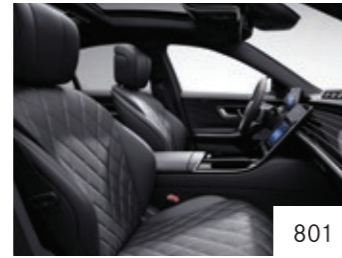


204

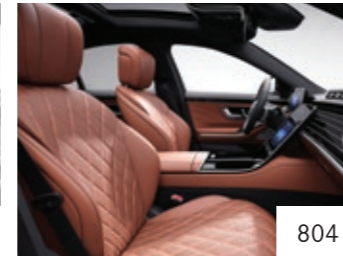


205

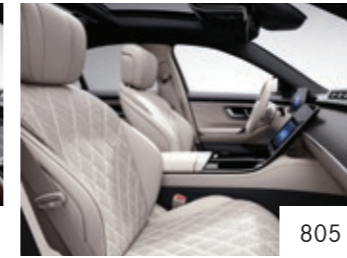
Nappa leather



801



804



805

Exclusive nappa leather



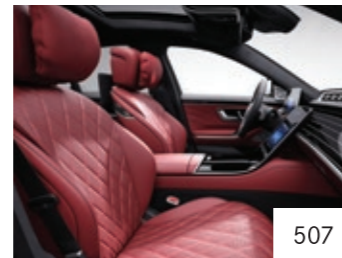
501



504



505



507



508

Leather

Not in conj with optional trim H38+726

201 Black

204 Sienna brown / black

205 Macchiato beige / magma grey

Nappa leather - HK\$24,500 (pre tax) (Optional)

801 Black

804 Sienna brown / black (not in conj with paint 660)

805 Macchiato beige / magma grey

Exclusive nappa leather (Optional)

Include in option P34 Exclusive package - HK\$68,000 (pre tax)

501 Black

504 Sienna brown / black (not in conj with paint 660)

505 Macchiato beige / magma grey

507 Carmine red / black (not in conj with paint 989/998)

508 Silver grey / black

Photos for reference only.

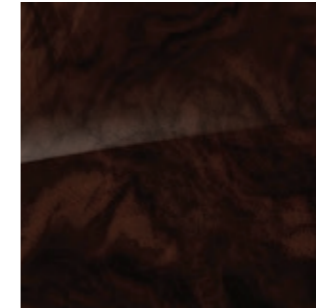
Trim

H02+726



Anthracite open-pore
poplar wood trim

H29+726



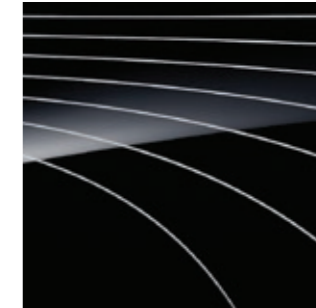
High-gloss brown burr
walnut wood trim

H37+726



High-gloss black poplar
wood trim

H17+726
(Optional)



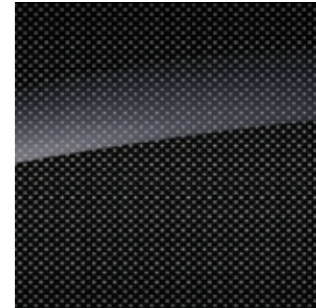
Designo black piano
lacquer trim with
flowing lines

H38+726
(Optional)



Designo brown
open-pore walnut wood
trim with aluminium lines

H75+722
(Optional)



Black/silver metallic
mixed fabric trim

Centre console in a black crystal-look finish

Centre console in
metallic mixed
fabric-look in black silver

HK\$11,000 (pre tax)

HK\$35,000 (pre tax)

HK\$9,000 (pre tax)

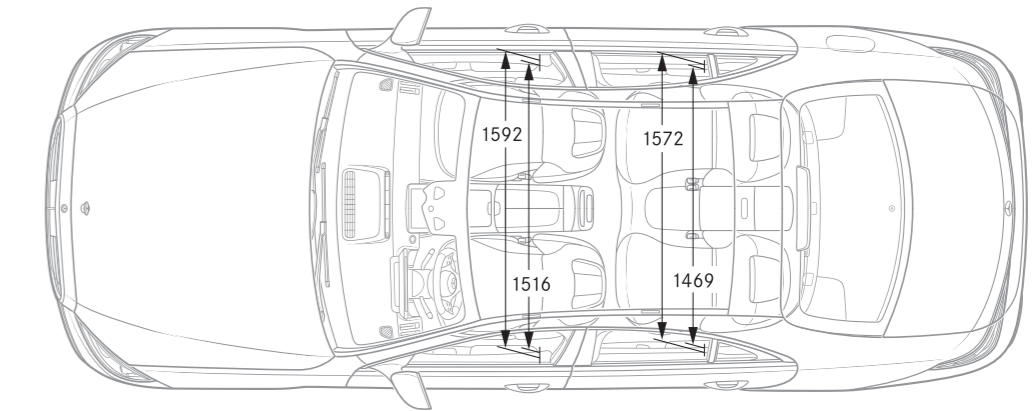
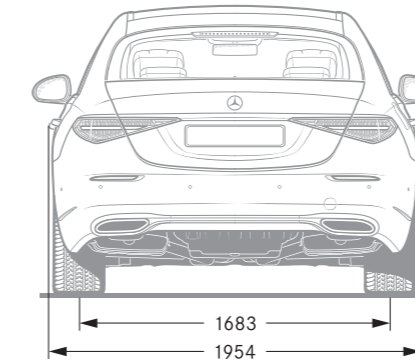
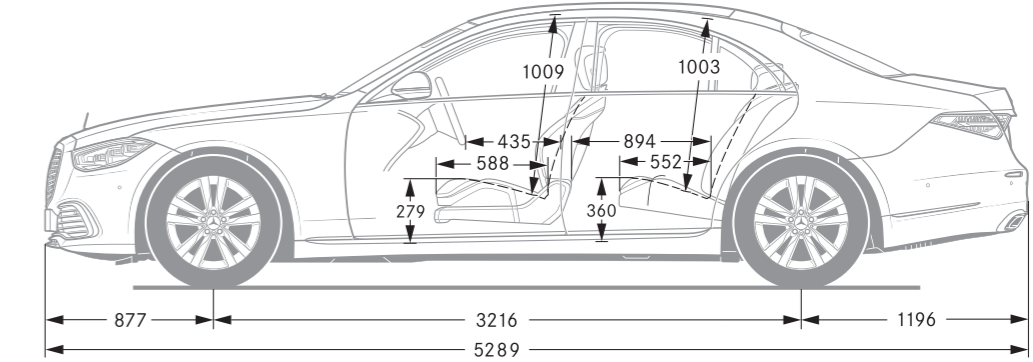
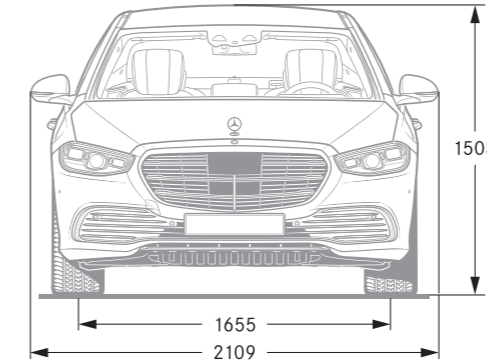
Not in conj with upholstery
201/204/205
and option L2D

Colors for reference only.

Engine

	Petrol engines	
	S 450 4MATIC	S 500 4MATIC
Displacement (cc)	2,999	2,999
Rated output ¹ (kW [hp] at rpm)	270 [367]/5.500 - 6.100	320 [435]/6.100
Acceleration from 0 to 100 km/h (s)	5,1	4,9
Top speed (km/h)	250	250
Fuel consumption Combined ² (l/ 100 km)	8.4 -7.8	8.4 -7.8
Combined CO ₂ emissions ² (g/km)	191.0 -178.0	192.0 -179.0
Emission class	EURO 6D-ISC-FCM	EURO 6D-ISC-FCM

Dimensions



¹ Rated output and torque figures in accordance with Directive 80/1269/EEC in the currently applicable version.

² The figures shown were obtained in accordance with the prescribed measuring process. They are "NEDC CO₂ values" pursuant to Art. 2 No. 1 of Implementing Regulation (EU) 2017/1153. The fuel consumption figures have been calculated on the basis of these values. Electrical consumption has been determined on the basis of Directive 692/2008/EC.

All figures in millimetres. The pictured dimensions are mean values. They are valid for vehicles in basic specification and in unladen condition.



Zung Fu 仁孚