

The A-Class Saloon



Mercedes-Benz



Ready for a new generation.

Dashing looks from a standing start. A truly lasting impression as it accelerates away. Setting its own standards as of now. Surging ahead where others fall behind. That's the new-generation A-Class.

FOR THE BEST IN EVERY FORMAT.



Experience the A-Class in glorious HD. With the Mercedes-Benz Brochures app for the iPad® and with the Digital Owner's Manual from "Mercedes-Benz Guides" for the iPhone®. Both apps feature a wealth of films and additional content and are available free of charge from the iTunes Store®.

Statements:

2 | Mercedes-Benz A 250 4MATIC polar silver metallic

AMG Line design and equipment line, AMG light-alloy wheels painted black with a high-sheen finish, AMG Exclusive package, black RED CUT leather upholstery, carbon-fibre-look trim

12 | Mercedes-Benz A 200 d elbaite green metallic

Style design and equipment line, Night package, light-alloy wheels painted black with a high-sheen finish, black/green fabric/ARTICO man-made leather upholstery, honeycomb-look trim

20 | Mercedes-AMG A 45 4MATIC jupiter red

AMG Night package, AMG Aerodynamics package, AMG cross-spoke light-alloy wheels, AMG Exclusive package, black RED CUT leather upholstery, carbon-fibre-look trim, AMG Performance seats

The illustrations may include optional extras and accessories which do not form part of the standard specification.

State of the art:

- 28 | Mercedes-Benz Intelligent Drive
- 30 | Mercedes me
- 38 | Multimedia systems
- 39 | Mercedes me connect
- 40 | DYNAMIC SELECT
- 41 | Engines
- 42 | A 250 Sport and A 250 Sport 4MATIC
- 44 | Mercedes-AMG A 45 4MATIC
- 48 | Equipment and packages
- 58 | Optional extras
- 59 | Genuine accessories
- 60 | Wheels
- 62 | Technical data and dimensions
- 65 | Upholstery and paintwork

What's the secret to striking the right chord? Making sure it's perfectly in tune. What's better than being inspired? Being inspirational. Finding your own way is no easy task – but it can be incredible fun. With the A-Class. Fighting fit and a force to be reckoned with, it injects more movement, more ideas – quite simply more life into life.

Streets ahead of the zeitgeist.





The epitome of
a new beginning.










One switch. Four personalities. Comfort, Sport, Eco or Individual – everything's possible. In next to no time with the DYNAMIC SELECT switch. One click is all it takes to find driving dynamics to suit your mood. Or the road. Or the weather. Come what may, the A-Class is always one step ahead.

Click. Kick.



Always keeps its distance.

A man with a beard and long hair, wearing a white shirt, is driving a car. He is smiling and looking towards a woman in the passenger seat. The woman has long brown hair and is wearing a red top. She is also smiling and looking at the man. The car's interior, including the steering wheel and dashboard, is visible. The scene is brightly lit, suggesting a sunny day.

Never too close for comfort. That's the key to safety today. And that's how Mercedes-Benz Intelligent Drive works: innovative assistance systems that warn the driver – or intervene themselves – when they detect an emergency situation. More extensively and highly developed than ever before in this class of car.





All the attention you need –
from the comfort of your seat.

It's impressive how the A-Class deals with so much attention. It simply gives it back. With an interior that provides information at eye level and functions that are just an intuition away. Responding to your every touch as you revel in how everything feels.



The A-Class catches your eye. And it's hard to look away. From the confident radiance, the style, the mettle and the colours. Follow it. Give your dreams free rein.





Object of **desire.**



And fulfilment.



Leaves its mark in your mind's eye.

A sea of expressionistic elbaite green. So compellingly irresistible that it takes even the air's breath away. The A-Class has the best C_d figure in its segment. Every line and every surface has been aerodynamically optimised. It doesn't just look captivatingly dynamic, it also reduces fuel consumption and driving noise.





Dock and drive.

Life without a smartphone? Unimaginable. In the A-Class it is perfectly integrated on request. Thanks to Apple CarPlay™ or Android Auto, lots of content is displayed on the media display as on your smartphone screen. Numerous smartphone functions – including navigation, music and news – can be controlled via the car. It looks like exciting times are ahead.



Doesn't just look the part.
It plays the part, too.

AMG. Three letters. One league of its own. The Mercedes-AMG A 45 4MATIC pulls at the heartstrings. Each AMG detail is honed for high performance, each line a statement of intent. The optional AMG Aerodynamics package includes additional black flics on the front apron and an AMG rear aerofoil. For more downforce. And more sportiness.





The Mercedes-AMG A 45 4MATIC is home to the world's most powerful 4-cylinder production engine. With a soundtrack to match. Each powerful thrust is acknowledged by a full-bodied roar from the AMG Sport exhaust system whilst the optional AMG RIDE CONTROL sports suspension coaxes the car around every bend with the utmost skill and precision. Assuredly and directly, just above the tarmac.

You can tell alpha leaders by their
roar.



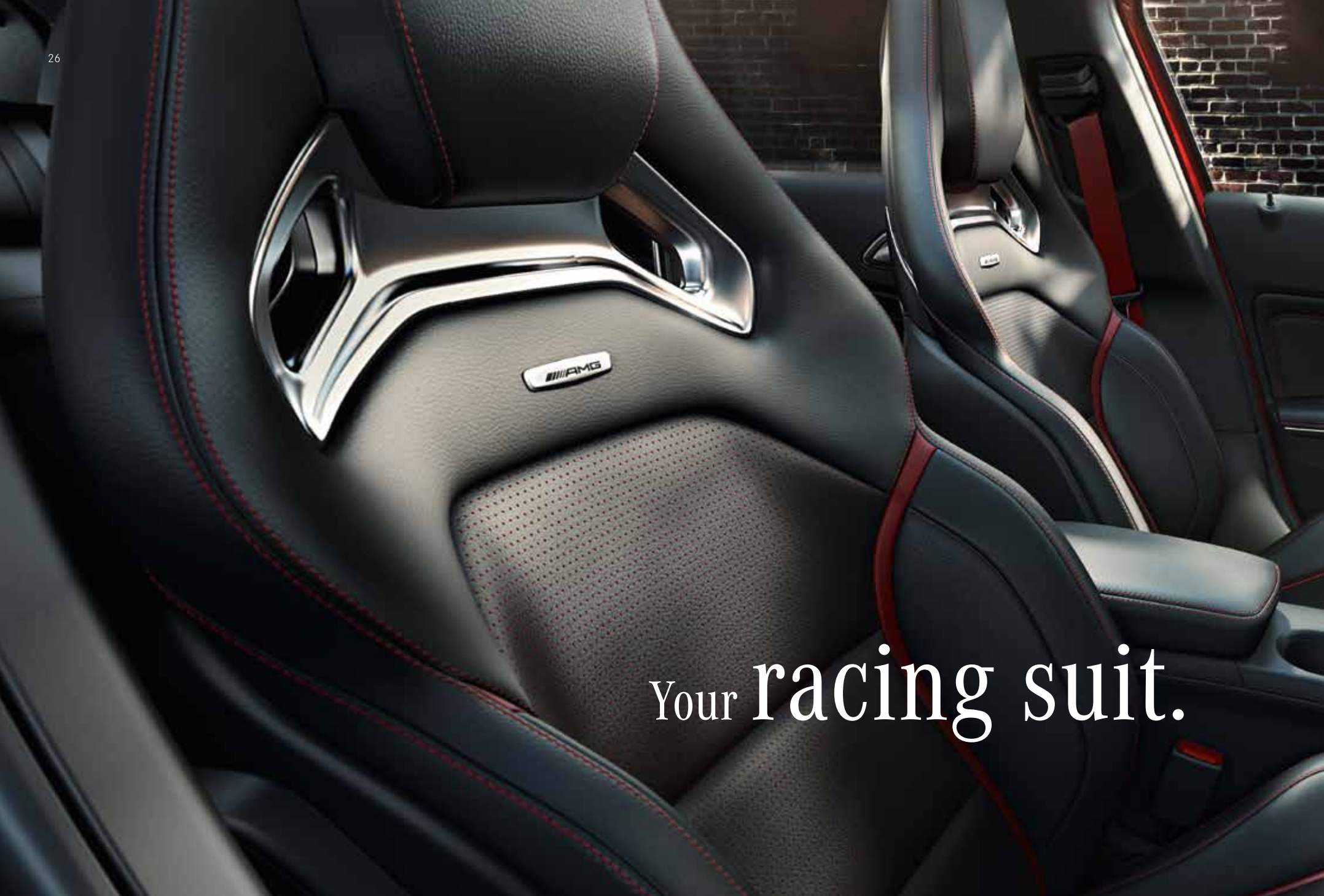




Red

means stop. And hold your breath.





Your racing suit.



The interior of the Mercedes-AMG A 45 4MATIC is a force field. Customised for adrenaline. Released the moment your fingertips touch the shift paddles. And the calm becomes a storm. The acceleration presses you back into the optional AMG Performance seats. Before catapulting you into a whole new world of feeling and emotion. The control centre: the AMG DRIVE UNIT, including AMG DYNAMIC SELECT Controller for selecting from up to five different driving modes.

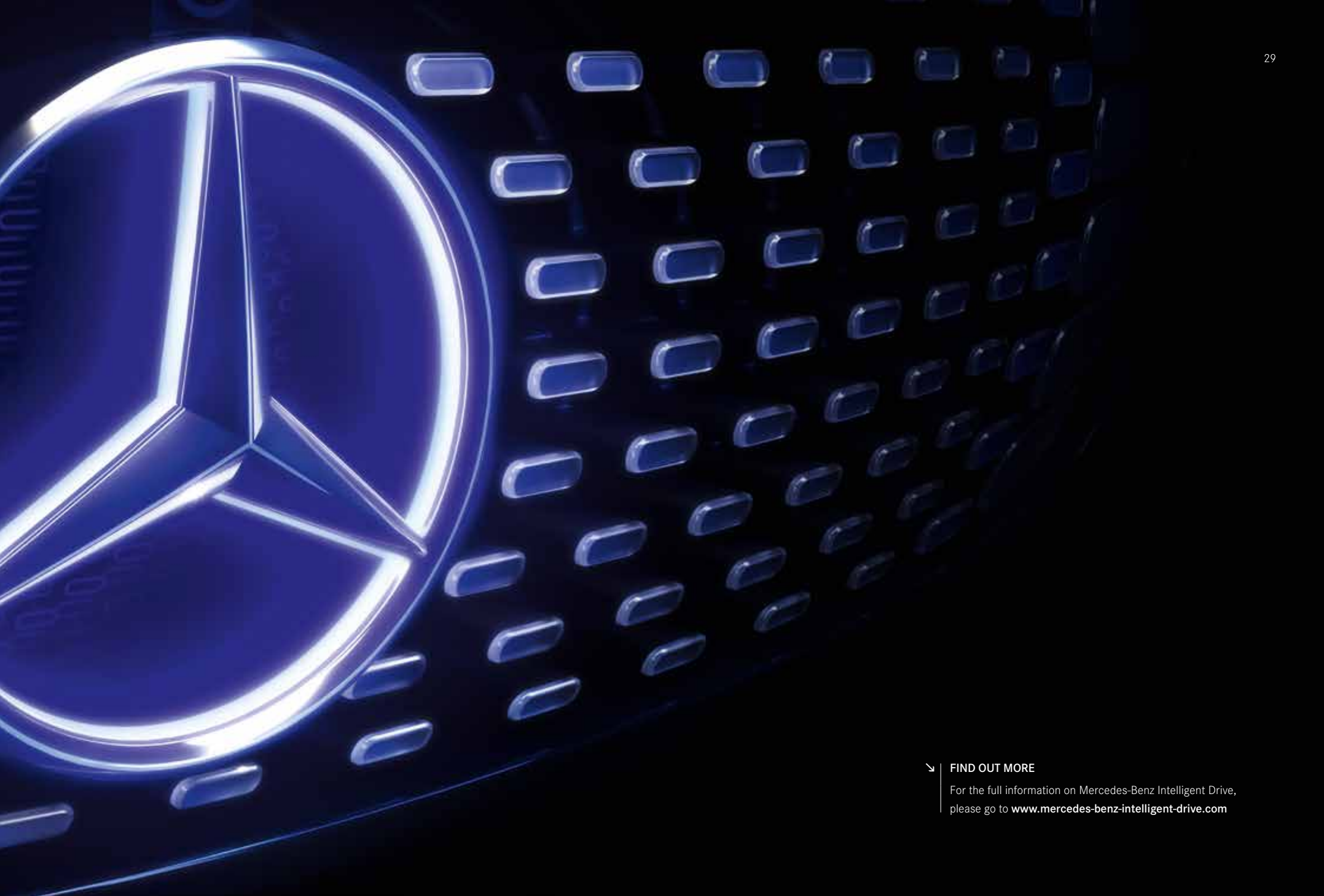
Mercedes-Benz Intelligent Drive – pointing the way to accident-free and autonomous driving.

Mercedes-Benz is the first automotive manufacturer worldwide to have developed an integral safety concept, with the aim of safe driving, responding in an appropriate manner to hazards, avoiding accidents and mitigating the consequences of accidents. For the occupants of a Mercedes and for all other road users, too.

Mercedes-Benz Intelligent Drive forms part of this integral safety concept. It makes your Mercedes one of the most intelligent automobiles in the world – an “intelligent partner”. The Mercedes-Benz Intelligent Drive assistance systems are able to recognise hazards, provide timely warnings and even intervene autonomously when necessary – by performing braking manoeuvres, for example. In this way, accidents can be prevented or the severity of accidents can be significantly reduced. In order to protect passengers as necessary in case of dangers, additional protective features such as PRE-SAFE® are activated as anticipatory measures. These features vary according to the model concerned.

Many Mercedes-Benz vehicles already offer the option of a Driving Assistance package. The key functions of this package include partially automated driving on motorways, on country roads and in built-up areas. The Driving Assistance package also lends support when changing lane on multi-lane roads, for example during overtaking. This relieves the driver’s workload, as in normal driving they no longer need to brake or accelerate. The driver also receives substantial support with steering – even in bends.

Never before have safety, comfort and measures to reduce the strain on the driver been combined so effectively. This intelligent and pioneering interplay of sensors and safety and assistance systems represents a milestone on the road to autonomous and accident-free driving. And a fascinating new experience into the bargain.



FIND OUT MORE

For the full information on Mercedes-Benz Intelligent Drive, please go to www.mercedes-benz-intelligent-drive.com



Our world in your hands.

www.mercedes.me – it's all about you. Discover a world of fascinating services, products and innovations that will simplify and enrich your life. Coming straight to you in digital form. And turning our world into your world.





Life can be so fascinating when you're fully connected.

All our connectivity and mobility services plus a host of other fascinating features – all in one place and exclusively for you. That's Mercedes me. Register free of charge today and make the world of Mercedes-Benz your very own at your convenience – on your PC or laptop or in mobile mode via tablet, smartphone or smartwatch. And because your life is forever changing, our services are also continually evolving. Join us now at: www.mercedes.me/welcome

Looking for individual inspiration in real life, too? The Mercedes me Stores are a fascinating phenomenon worldwide – in Beijing, Moscow and Hamburg, for example.



Mercedes me connect connects you with your vehicle – and your vehicle with the whole world. A comprehensive range of convenient connectivity services relating to all areas of your vehicle supports you, ensuring greater safety, closer contact and an even more fascinating driving experience. It's reassuring to stay connected all the time while you're on the move. Mercedes me connect includes Standard Services, which are able to provide you with automatic support in the event of a breakdown or an accident, as well as Remote Online Services – the option enabling vehicle settings to be carried out by smartphone – and lots more besides.

Mercedes me inspire offers special brand experiences and an opportunity to engage in an inspiring dialogue. We aim to share our ideas with you and we would like to know your ideas and wishes. So that we can always offer you the best solutions. A community is available to this end, and you will also find a growing range of offerings and experiences which go beyond the traditional vehicle-related topics – from areas such as events, travel and lifestyle.

Mercedes me move offers access to intelligent mobility solutions: car2go is the pioneer and global market leader in free-floating car sharing, the moovel mobility app pools the offerings from various mobility providers to find the ideal route from A to B. With the mytaxi app you can order a taxi, track its approach live and pay for your journey in a convenient manner. Mercedes-Benz Rent offers vehicles to suit all occasions for short- or long-term rental from an authorised Mercedes-Benz dealer near you. Blacklane enables you to book a chauffeur-driven limousine, FlixBus offers inexpensive, comfortable and environment-friendly trips on long-distance coaches.

Mercedes me assist makes easy work of organising maintenance for your vehicle, providing a convenient online means of locating a Mercedes-Benz dealer in your neighbourhood and arranging a service appointment. The digital service report keeps you up to date on performed service work. The report can be made available to you online just one day after a service. In addition to the current service report, you can also view your vehicle's complete service history and service intervals, and you can print this information out if you so wish.

Mercedes me finance offers you various routes to your vehicle of choice. Mercedes-Benz Bank/Mercedes-Benz Financial Services finds the ideal leasing, financing and insurance solution together with you – tailored to your needs. Our leasing products enable you to drive the latest models at all times while enjoying maximum flexibility, as you pay not for acquisition of the vehicle, but only for its use. You also benefit from attractive monthly instalments. Our financing arrangements enable you to pay for your new Mercedes-Benz in a way that suits your personal budget. You can tailor your monthly instalments to your needs by deciding on an appropriate down-payment and term for your contract. Our individual insurance solutions offer reliable protection for your budget and your vehicle on attractive terms. Your existing financial contracts can be managed conveniently online.¹

¹ Depending on market availability.

Our service: the perfect fit for your Mercedes.

Beyond the car itself, you also acquire something priceless – an exclusive partnership with Mercedes-Benz. For you, this means safety, independence and motoring free of any worries. In other words: the reassuring feeling of driving a Mercedes.

The best for your Mercedes. No-one knows your Mercedes better than our experienced specialists at the Mercedes-Benz workshops. The comprehensive range of services and the high standard of quality ensure that your vehicle is in top condition. We use proven Mercedes-Benz GenuineParts and special tools to this end.

The best for you. Motoring free of any worries right from the word go: with the tailor-made Mercedes-Benz Service Contracts. These offer you the benefits of a reliable basis for long-term planning, permanent control over costs, fixed monthly rates and cost transparency. Plus ideal protection from additional workshop costs.

The best for your mobility. The Mercedes-Benz Mobilo¹ mobility solution provides for motoring free of any worries throughout Europe – covering breakdowns, accidents, minor mishaps and vandalism. The benefits offered by Mobilo include on-the-spot assistance, a replacement vehicle, towing and overnight hotel accommodation, for example. Mobilo comes free of charge for the first two years after initial registration and can subsequently be renewed each time the vehicle is serviced by an authorised service partner, for a period of up to 30 years in all. Whenever you need assistance, you can reach us free of charge throughout Europe on 00800 1 777 7777².

↘ FIND OUT MORE

For the full information on Mercedes-Benz Service Contracts, go to www.mercedes-benz.com – or ask your authorised Mercedes-Benz dealer to draw up an individual offer for you.

¹ Our general terms and conditions apply. The period of validity is extended after each service carried out by an authorised Mercedes-Benz service partner until the due date for the next service – up to a maximum of 30 years after initial registration. ² Roaming charges may apply when calling from abroad.



What would motorsport be without Mercedes-Benz?

The first vehicle to ever win an automobile race was powered by a Daimler engine. The first Mercedes was a racing car. The Silver Arrows – a true legend. Mercedes-Benz has a long tradition of involvement with the world of sport. Motorsport shapes the brand and every vehicle bearing the Mercedes star to this day. Discover the brand's unique history first-hand: at the Mercedes-Benz Museum in Stuttgart.

↘ FIND OUT MORE

Discover just what has been moving the world for over 130 years and take a journey through time as well as through the history of the automobile at the Mercedes-Benz Museum. More than 1500 exhibits await you on 16,500 m² of floorspace, including unique gems such as the oldest surviving Mercedes from 1902 or the legendary gull-wing models. Welcome to a place of innovation:

www.mercedes-benz.com/museum

www.facebook.com/mercedesbenzmuseum

www.instagram.com/mercedesbenzmuseum

www.twitter.com/mb_museum

www.google.com/+mercedesbenzmuseum

www.youtube.com/mercedesbenzmuseum



What would Mercedes-Benz be without motorsport?

3 June 1934 marked the beginning of the Silver Arrows legend in the International Eifel Race at the Nürburgring. Today this legend is more alive than ever: in 2016 the Silver Arrows works team Mercedes-AMG Petronas Motorsport won the Formula 1 constructors' and drivers' titles for the third year in a row, making history by winning 19 of the 21 Grand Prix races. In a spectacular finale in the desert city of Abu Dhabi, Nico Rosberg secured his first world championship title in his Mercedes-Benz F1 W07 Hybrid. The value of these successes extends way beyond the race track: every mile raced advances development in fields such as lightweight materials and hybrid technology for series production.

↘ FIND OUT MORE

Fascinating Formula 1 goes multimedia:
www.facebook.com/MercedesAMGF1
www.twitter.com/MercedesAMGF1
www.youtube.com/MercedesAMGF1
www.google.com/+MercedesAMGF1
www.instagram.com/MercedesAMGF1
www.MercedesAMGF1.com
www.mercedes-benz.com/motorsport





Perfectly connected. With Apple CarPlay™.

Apple CarPlay™ for the iPhone® and **Android Auto** for Android devices facilitate optimum integration for the ideal in-car infotainment system. Including navigation option, telephony and messaging function by means of voice control plus access to the music player. Smartphone integration is part of COMAND Online and optionally available with Audio 20 CD.

NAVIGATION AND INFOTAINMENT OPTIONS

Navigation, telephone, audio, video, internet – with the **COMAND Online** control and display system the driver is able to keep these and many other functions in view and under control. They are shown on the high-resolution media display with a screen diagonal of 20.3 cm.

Live Traffic Information¹ (part of optional COMAND Online and Garmin® MAP PILOT) facilitates reception of the latest and precise traffic information for optimised dynamic route guidance and precisely calculated arrival times. Data transfer takes place by means of a communication module via a mobile internet connection.

User-friendly navigation, precise map data and excellent route guidance – the **Garmin® MAP PILOT** brings all the familiar benefits of a Garmin® navigation system to the Audio 20 CD – including Live Traffic Information. It is all done by simply inserting an SD card with navigation software and map data sets.

The **Audio 20 CD** multimedia system combines entertainment, information and communication. Audio 20 CD with internet capability, radio with twin tuner and CD player also allows networking with mobile devices via Bluetooth®, optionally also on the 20.3 cm media display.

¹ Three months free of charge; free use for the full three-year period only in conjunction with set-up of a Mercedes me user account and subject to acceptance of the General and Special Terms of Use.



The perfect link. With Mercedes me connect.

Our innovative and individualised mobility, connectivity and services go by the name of Mercedes me. As part of this fascinating Mercedes-Benz world of experience, **Mercedes me connect** integrates driver, car and personal lifestyle. Mercedes me connect Standard Services such as the Mercedes-Benz emergency call system or breakdown management offer immediate assistance.

The **Remote Online** option prepares the vehicle for the use of additional, separately available Mercedes me connect services, such as the Parked Vehicle Locator function (see image below) or retrieval of the vehicle's current status (see image above). Remote Online is optionally available with the Audio 20 CD multimedia system and forms an integral part of the optional COMAND Online multimedia system, which opens up the whole world of Mercedes me connect to you – including browser, navigation with Live Traffic Information (free to use for three years following registration in the Mercedes me connect Store within the three-month registration period) and numerous apps. The Mercedes me connect services are enabled at your request, with the exception of the automatically activated Mercedes-Benz emergency call system and Live Traffic Information.

↳ FIND OUT MORE

The full information is available at
<http://www.mercedes-benz.com/en/mercedes-me>



DYNAMIC SELECT. Emotions at the touch of a button.

Straight from the luxury segment to the A-Class: **DYNAMIC SELECT**. A small button with an astonishingly big effect. You can change between the pre-configured driving modes – Comfort, Sport, Eco and Individual – as and when you wish. Doing so alters the settings of the steering, the drive system and – if adaptive damping is specified – also the suspension. The Individual mode lets you choose your own individual settings. DYNAMIC SELECT is either standard or optional, depending on model and equipment.



The optional **Sports Direct-Steer system** adds to the comfort of speed-sensitive power steering with a variable ratio dependent on the steering angle. On winding roads, for example, this produces a more agile handling response and improved straight-line stability.

The **all-wheel drive system 4MATIC** (available for certain models) ensures the best possible combination of dynamism, traction and efficiency in all driving conditions. This is made possible by fully variable torque distribution, ranging from full front-wheel drive to a 50:50 split.

About class A efficiency.

The **A 180 d BlueEFFICIENCY Edition** featuring a raft of aerodynamic measures, a lowered body and a special transmission ratio boasts a whole package of innovations aimed at ensuring extremely low fuel consumption and CO₂ emissions. For every drive system variant there is an **ECO display** on board. Embedded in the instrument cluster, it uses various graphics to encourage the driver to adopt a fuel-saving driving style. Whereby the A-Class generation only makes economies in the right places. Many of the engines have been uprated, therefore making for an even more dynamic drive.

MANUAL OR AUTOMATIC?

With short, direct shift travel, the **6-speed manual transmission** enables swift, smooth and easy gear shifting.

The optional **7G-DCT dual clutch transmission** allows fast, smooth gear changes without any interruptions in tractive power. DYNAMIC SELECT can be used to preselect the shift characteristics from fuel-saving to sporty.

↘ FIND OUT MORE

From the minimum CO₂ value to the maximum output: the engine line-up offers the best for every taste. The complete list of variants and technical data can be seen on pages 62/63.





A 250 Sport and A 250 Sport 4MATIC – engineered by AMG.

More power, sporty design elements, exclusive equipment and appointments, and AMG driving dynamics components – that’s the A-Class Sport model. Climb in and be prepared to be thrilled.

EXTERIOR HIGHLIGHTS

AMG Line

Red trim on the front and rear aprons

Diamond radiator grille with chrome pins, louvre painted high-gloss black

AMG 5-spoke light-alloy wheels, painted black with a high-sheen finish, with 235/40 R 18 tyres

AMG speed-sensitive sports steering

Lowered sports suspension engineered by AMG

Red brake callipers at front and rear with “Mercedes-Benz” lettering at front

Sportier engine, transmission and accelerator configuration

AMG rear aerofoil (optional)

INTERIOR HIGHLIGHTS

AMG Line

designo seat belts in red

Air outlets with red surround and cruciform nozzle in silver chrome

Cord floor mats with edging in black and red contrasting topstitching plus “Sport” lettering

AMG Performance seats (optional, see detailed picture above)







Ready for the Mercedes-AMG A 45 4MATIC?

Catapulted by the world's most powerful 4-cylinder production engine. Honed by proven high-performance components from the world of motor racing and characterised by distinctive AMG design: the Mercedes-AMG A 45 4MATIC. Once seen, never forgotten.

EXTERIOR HIGHLIGHTS

AMG front apron with front splitter in matt titanium grey and black flics

AMG radiator grille with silver-chrome double louvre and "AMG" lettering

AMG side sill panels with inserts in matt titanium grey

AMG rear apron with diffuser look

AMG sports exhaust system with two chrome-plated twin tailpipes

AMG 10-spoke light-alloy wheels, painted titanium grey with a high-sheen finish, with 235/40 R 18 tyres

AMG cross-spoke light-alloy wheels, painted titanium grey with a high-sheen finish, with 235/35 R 19 tyres (optional, see detailed image on left)

AMG spoiler lip

LED High Performance headlamps

INTERIOR HIGHLIGHTS

3-spoke multifunction leather sports steering wheel with flattened bottom section, perforations in the grip area, 12 function keys and red contrasting topstitching

AMG instrument cluster

AMG DRIVE UNIT, including AMG DYNAMIC SELECT controller

AMG front door sill panels in brushed stainless steel

Sports seats upholstered in ARTICO man-made leather/DINAMICA microfibre designo seat belts in red

AMG floor mats

Air outlets with red surround and cruciform nozzle in silver chrome



Mercedes-AMG A 45 4MATIC technical details.

At Mercedes-AMG, high performance gets underway long before the cars hit the road. The AMG 2.0-litre 4-cylinder turbocharged engine – the world’s most powerful 4-cylinder production engine, with 475 Nm and 280 kW (381 hp) – is meticulously built by hand in keeping with the “One Man – One Engine” philosophy. The engineer responsible vouches for this with their signature on the “AMG” engine badge.

THE AMG TECHNOLOGY PACKAGE

AMG SPEEDSHIFT DCT 7-speed sports transmission

AMG DYNAMIC SELECT driving modes

AMG Performance 4MATIC all-wheel drive

AMG axles with independent front steering knuckles and AMG-specific elastokinematics

AMG sports suspension

AMG high-performance brake system with internally ventilated and perforated brake discs plus grey-painted brake callipers with “AMG” lettering

Electronic Stability Program ESP®

AMG speed-sensitive sports steering

AMG cooling system with additional wheel arch water cooler

AMG Performance Studio.

In the AMG Performance Studio you will find a great variety of optional extras which endow the Mercedes-AMG A 45 4MATIC with even more AMG spirit and individuality. The highlight in terms of driving dynamics is the AMG DYNAMIC PLUS package, including a front-axle locking differential for extremely effective traction when adopting a sporty driving style.



HIGHLIGHTS FROM THE AMG PERFORMANCE STUDIO

AMG Night package

AMG Aerodynamics package

AMG carbon-fibre exterior mirror housings

AMG DYNAMIC PLUS package, including front-axle locking differential

AMG RIDE CONTROL sports suspension with two-stage adaptive damping and additional "RACE" driving mode

Red-painted brake callipers with black "AMG" lettering

AMG Performance exhaust system including switch in the upper control panel for an even more emotive engine sound in the interior

AMG Performance steering wheel in DINAMICA microfibre or in nappa leather with grip area in DINAMICA microfibre, AMG E-SELECT lever and master key with "AMG" emblem

AMG Performance seats

AMG Driver's package (increase of top speed to 270 km/h and participation in driver training at the AMG Driving Academy)





The standard equipment.

Even inconspicuous details have a high-quality feel. Even barely visible components are engineered for an extremely precise fit. This all-round luxury comes as standard in every Mercedes.

FIND OUT MORE

For the complete range of standard equipment please refer to the price list, which is also available for viewing online: www.mercedes-benz.com

EXTERIOR HIGHLIGHTS

Steel wheels with 10-hole wheel trims, with 195/65 R 15 tyres (some models have steel wheels with 10-hole wheel trims with 205/55 R 16 tyres or 10-spoke light-alloy wheels with 225/45 R 17 tyres)

Diamond radiator grille in high-gloss black

Exhaust system without visible tailpipe trim

Beltline trim strips in matt black

Door handles and bumpers painted in body colour

Comfort suspension

INTERIOR HIGHLIGHTS

Seats upholstered in Venlo fabric

Honeycomb-look trim

3-spoke multifunction steering wheel with twelve function buttons

Roof liner in crystal grey fabric

Air conditioning

Audio 20 USB

KEYLESS-GO starting function with convenience central locking system

Cruise control with variable speed limitation







Astonishingly stylish. The Style design and equipment line.

The Style design and equipment line emphasises the vehicle's individual character – with 10-spoke light-alloy wheels, sports seats with a specific seat upholstery layout, a black diamond radiator grille with a louvre in the body colour and chrome insert plus a chrome-plated trim strip on the front bumper.

EXTERIOR HIGHLIGHTS

10-spoke light-alloy wheels with 205/55 R 16 tyres (some models have 10-spoke light-alloy wheels with 225/45 R 17 tyres)

Diamond radiator grille in high-gloss black, louvre painted in body colour with chrome insert

Beltline trim strip in chrome

Chrome-plated trim strip in the front bumper

INTERIOR HIGHLIGHTS

Sports seats with upholstery in ARTICO man-made leather/Messancy fabric with highlights in green or red and contrasting topstitching

Seat Comfort package, including adjustable seat length

Honeycomb-look trim

Air outlets with surround and cruciform nozzle in silver chrome

High-gloss black light switch with ring in silver chrome

Cover on stowage compartment in centre console

Multifunction holder in the centre console

Black roof liner (optional: grey)





Inspiringly progressive. The Urban line.

The Urban design and equipment line underscores the vehicle's sportiness – for example with 5-twin-spoke light-alloy wheels, sports seats, chrome-plated tailpipe trim elements and black diamond radiator grille with a silver-coloured louvre and chrome insert.

EXTERIOR HIGHLIGHTS

5-twin-spoke alloy wheels with 225/45 R 17 tyres

Diamond radiator grille in high-gloss black, louvre painted in silver colour with chrome insert

Twin-pipe exhaust system with chrome-plated tailpipe trim

Beltline trim strip in chrome

Chrome-plated trim strip in the front and rear bumpers

INTERIOR HIGHLIGHTS

Sports seats with upholstery in ARTICO man-made leather/Maringá fabric with contrasting topstitching

Seat Comfort package, including adjustable seat length

Chequerboard-look trim

Air outlets with surround and cruciform nozzle in silver chrome

3-spoke leather multifunction steering wheel, with perforated grip areas and twelve function keys, contrasting topstitching

Tube-look instrument cluster with round dials in chequered-flag look and red needles



Thrillingly dynamic. The AMG Line.

Powerful AMG bodystyling. AMG light-alloy wheels. Brushed stainless-steel sports pedals with rubber studs. Lowered sports suspension. This is the shape of high performance today. Are you up for it?

EXTERIOR HIGHLIGHTS

AMG bodystyling with front and rear apron plus side sill panels

AMG 5-twin-spoke light-alloy wheels, painted titanium grey with a high-sheen finish, with 225/40 R 18 tyres

Diamond radiator grille with pins in chrome, silver-painted louvre with chrome insert

Twin-pipe exhaust system with chrome-plated tailpipe trim

Lowered sports suspension (optional: lowered comfort suspension)

Sports Direct-Steer system

Perforated front brake discs

Brake callipers with "Mercedes-Benz" lettering

INTERIOR HIGHLIGHTS

Sports seats upholstered in ARTICO man-made leather/DINAMICA microfibre with red contrasting topstitching

Carbon-fibre-look trim

DYNAMIC SELECT

3-spoke multifunction sports steering wheel in leather with flattened bottom section

Tube-look instrument cluster with round dials in chequered-flag look and red needles

Air outlets with surround and cruciform nozzle in silver chrome

Seat Comfort package, including adjustable seat length

Brushed stainless-steel sports pedals with rubber studs





Exclusive package.

Comfort, quality and design at an exclusive level. High-grade interior appointments are combined with style. The heated sports seats with 4-way lumbar support and seat cushion length adjustment, the multifunction steering wheel and the shift lever are trimmed in leather, while the dashboard and door centre panels are finished in matching ARTICO man-made leather. Contrasting topstitching and design elements in silver chrome add exclusive highlights. Practical details such as the multifunction holder, the convenience closing feature and the 12V socket in the rear complete the package.

AMG Exclusive package.

Maximum exclusivity, individuality and sportiness. Based on the AMG Line or the Mercedes-AMG A 45 4MATIC, this equipment package includes heated sports seats with 4-way lumbar support and seat cushion length adjustment, upholstered in distinctive black RED CUT leather. The dashboard and the door centre panels are finished in matching ARTICO man-made leather. The multifunction sports steering wheel with a flattened bottom section, perforations in the grip area and twelve control buttons underscores the sporty character, which is further emphasised by the red contrasting topstitching on all elements.



Night package.

Black, sporty, expressive. Featuring distinctive exterior equipment and selected design elements in black, the Night package allows even more pronounced individualisation based on the Style, Urban or AMG Line design and equipment lines. The light-alloy wheels with a high-sheen finish, the beltline trim strips plus the trim strip in the lower section of the front bumper (Style and Urban design and equipment lines) and rear bumper (Urban design and equipment line) are finished in sparkling high-gloss black. In conjunction with the AMG Line the front splitter is also finished in high-gloss black. Heat-insulating dark-tinted glass from the B-pillar onwards shields the interior from prying eyes and impressively underscores the vehicle's sporty character.

Optional extras.

There are countless possibilities for making the A-Class your own. From small details that add special touches to comfort features which until recently were still the reserve of the luxury segment. Take your time to browse around – in this brochure, by reference to the price list or online. You can configure the A-Class just how you want it at

www.mercedes-benz.com

The Light and Sight package further enhances the high-class appeal and optimises visibility. The optionally available **ambient lighting** is a further highlight. You can choose from twelve colours to set just the right mood.

With its large glazed area, the **panoramic sliding sunroof** ensures a particularly bright and welcoming ambience in the interior. It comprises an electrically operated glass sliding roof for individual ventilation of the interior and a mesh wind deflector.

In addition to their distinctive visual appeal, the **LED High Performance headlamps** boost night-time driving safety thanks to broad light distribution, a daylight-simulating colour temperature and low energy consumption.

This equipment option includes the “Coming Home” function: a light show that greets the driver after unlocking the car.

With twelve loudspeakers, including a woofer, and a 9-channel DSP amplifier the 450-watt **Harman Kardon® Logic 7® surround sound system** makes for a pristine listening experience.

The car can be conveniently opened, started and locked with the **KEYLESS GO** drive authorisation system – simply by having the electronic key on your person.

Reverse parking and manoeuvring is considerably easier and safer using the **reversing camera**. It is switched on automatically when the driver selects reverse gear, and shows the driver the area behind the vehicle with dynamic guide lines on the media display.



Genuine accessories.

The A-Class leaves hardly anything to be desired. And for those extra special needs there are genuine accessories. These cover almost every conceivable need for more pleasant and individual motoring. Each accessory product has been developed specifically in line with the high Mercedes-Benz quality standards.

The **roof spoiler** makes the roof appear longer and lends the car a more dynamic and sporty look at the rear. Furthermore, a high quality base coat makes the paint finish in the desired colour possible.

The two-piece **high-gloss chromium plated trim elements** add an impressive finishing touch to the A-Class individualisation concept.

The **rear trim strip** in realistic "Carbon Style" and individually dynamic 3D depth effect emphasise the car's dynamic appearance.

5-twin-spoke **light-alloy wheels**, painted black with a red rim flange, with 225/40 R 18 tyres (code A246 401 0600 9Y23, see close-up picture above).

Garmin® MAP PILOT upgrades Audio 20 CD into a fully fledged Garmin® navigation system. The navigation software and map data are provided on an SD memory card. The (3D) map with additional navigation details incl. Live Traffic Information (for certain countries) is shown on the media display. Software and map updates can be carried out via the internet, using a download manager.

Mercedes star, illuminated. Let your star shine brightly. The star centred in the radiator grille of your Mercedes will light up courtesy of fibre optics and LED technology when the vehicle is unlocked by remote control and when a door or the boot lid is opened. Functional only when engine is not running, not in conjunction with DISTRONIC (code 233/code 239).

↘ FIND OUT MORE

Discover the entire range online now at
www.mercedes-benz-accessories.com





R78



R48



R38



612



R15



R69



52R



791

Wheels.

Wheels are indispensable on technical grounds, of course. But on an emotional level, too, perfect wheels are an absolutely crucial ingredient of many people's dream car. So we have compiled a particularly broad selection for you.

STANDARD EQUIPMENT AND OPTIONAL EXTRAS

R78 5-twin-spoke light-alloy wheels, painted black with a high-shine finish, with 205/55 R 16 tyres

R15 5-twin-spoke light-alloy wheels, painted himalayas grey, with 225/45 R 17 tyres

R48 5-twin-spoke light-alloy wheels, painted himalayas grey with a high-shine finish, with 225/45 R 17 tyres

R69 5-spoke light-alloy wheels, painted black with a high-shine finish, with 225/45 R 17 tyres

R38 5-twin-spoke light-alloy wheels, painted black with a high-shine finish, with 225/40 R 18 tyres

52R 5-spoke light-alloy wheels, painted black with a high-shine finish, with 225/40 R 18 tyres

AMG

612 AMG 5-twin-spoke light-alloy wheels, painted black with a high-shine finish, with 225/40 R 18 tyres

791 AMG multi-spoke light-alloy wheels, painted titanium grey with a high-shine finish, with 225/40 R 18 tyres



646



637



638 780



61



774



693



99R 787



646 AMG multi-spoke light-alloy wheels, painted black with a high-shine rim flange, with 225/40 R 18 tyres

774 AMG 5-spoke light-alloy wheels, painted black with a high-shine finish, with 235/40 R 18 tyres

637 AMG 5-twin-spoke light-alloy wheels, painted black with a high-shine finish, with 235/40 R 18 tyres

693 AMG multi-spoke light-alloy wheels, painted black with a high-shine finish, with 235/35 R 19 tyres

638 AMG cross-spoke light-alloy wheels, painted titanium grey with a high-shine finish, with 235/35 R 19 tyres

99R AMG cross-spoke light-alloy wheels, painted matt black with a high-shine rim flange, with 235/35 R 19 tyres

780 AMG multi-spoke light-alloy wheels, painted titanium grey with a high-shine finish, with 235/35 R 19 tyres

787 AMG multi-spoke light-alloy wheels, painted matt black with a high-shine rim flange, with 235/35 R 19 tyres

↳ FURTHER INFORMATION

about the wheels and their availability and about the range of Mercedes-Benz Genuine Accessories is available from your authorised Mercedes-Benz dealer or at www.mercedes-benz-accessories.com

Technical data.

Diesel engines	A 160 d	A 180 d	A 180 d BE Edition	A 200 d	A 200 d 4MATIC	A 220 d	A 220 d 4MATIC
No./arrangement of cylinders	4/in-line	4/in-line	4/in-line	4/in-line	4/in-line	4/in-line	4/in-line
Displacement (cc)	1461	1461	1461	2143	2143	2143	2143
Rated output ¹ (kW (hp) at rpm)	66 (90)/2750-4000	80 (109)/4000	80 (109)/4000	100 (136)/3200-4000	100 (136)/3400-4400	130 (177)/3600-3800	130 (177)/3600-3800
Rated torque ¹ (Nm at rpm)	240/1700-2500	260/1750-2500	260/1750-2500	300/1400-3000	300/1400-3000	350/1400-3400	350/1400-3400
Transmission	6-speed, manual [7G-DCT]	6-speed, manual [7G-DCT]	6-speed, manual [-]	6-speed, manual [7G-DCT]	- [7G-DCT]	- [7G-DCT]	- [7G-DCT]
Acceleration 0-100 km/h (s)	13.8 [13.6]	11.3 [11.3]	11.3 [-]	9.3 [8.8]	- [8.8]	- [7.5]	- [7.5]
Top speed (km/h)	180	190	190	210	210	224	220
Front tyres/wheels	195/65 R 15	195/65 R 15	195/65 R 15	205/55 R 16	205/55 R 16	225/45 R 17	225/45 R 17
Rear tyres/wheels	195/65 R 15	195/65 R 15	195/65 R 15	205/55 R 16	205/55 R 16	225/45 R 17	225/45 R 17
Fuel	Diesel	Diesel	Diesel	Diesel	Diesel	Diesel	Diesel
Fuel consumption ⁴ (l/100 km)							
Urban	4.6-4.3 [4.3-4.2]	4.6-4.3 [4.3-4.2]	3.9 [-]	5.7-5.2 [4.9-4.6]	- [5.7-5.5]	- [5.0-4.8]	- [5.7-5.5]
Extra-urban	3.8-3.4 [3.7-3.4]	3.8-3.4 [3.7-3.4]	3.2 [-]	3.8-3.4 [3.7-3.4]	- [4.4-4.1]	- [3.7-3.5]	- [4.4-4.1]
Combined	4.1-3.7 [3.9-3.7]	4.1-3.7 [3.9-3.7]	3.5 [-]	4.5-4.1 [4.1-3.8]	- [4.9-4.6]	- [4.2-4.0]	- [4.9-4.6]
CO ₂ emissions ⁴ , combined (g/km)	107-98 [104-98]	107-98 [104-98]	89 [-]	116-106 [108-99]	- [127-121]	- [109-104]	- [127-121]
Emission class ⁵ /efficiency class ⁶	Euro 6/A+ [A+]	Euro 6/A+ [A+]	Euro 6/A+ [-]	Euro 6/A [A+]	Euro 6/- [A]	Euro 6/- [A+]	Euro 6/- [A]
Tank capacity, with reserve (l)	50/6	50/6	40/6	50/6	56/6	50/6	56/6
Boot capacity (l)	341-1157	341-1157	341-1157	341-1157	341-1157	341-1157	341-1157
Turning circle (m)	11.00	11.00	11.00	11.00	11.00	11.00	11.00
Kerb weight ⁷ /payload (kg)	1395/565 [1425/535]	1395/565 [1425/535]	1385/465 [-]	1455/555 [1485/525]	- [1545/515]	- [1485/525]	- [1545/515]
Perm. GVW (kg)	1960 [1960]	1960 [1960]	1850 [-]	2010 [2010]	- [2060]	- [2010]	- [2060]

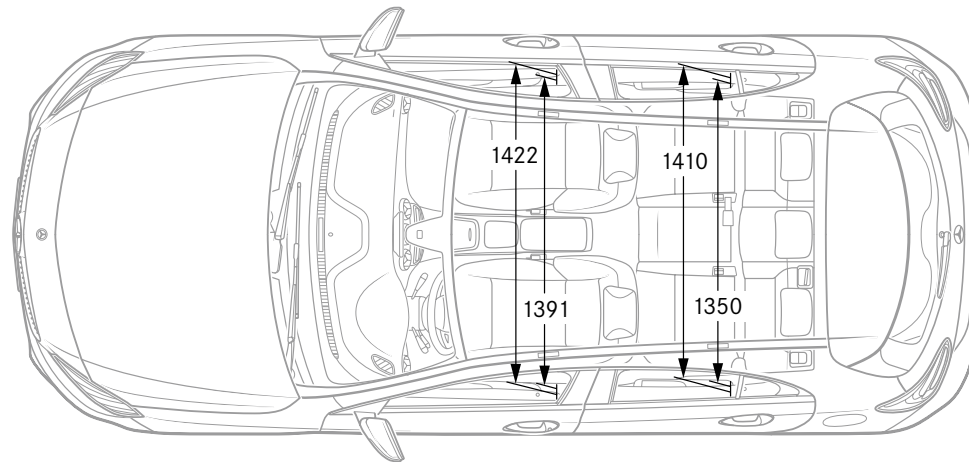
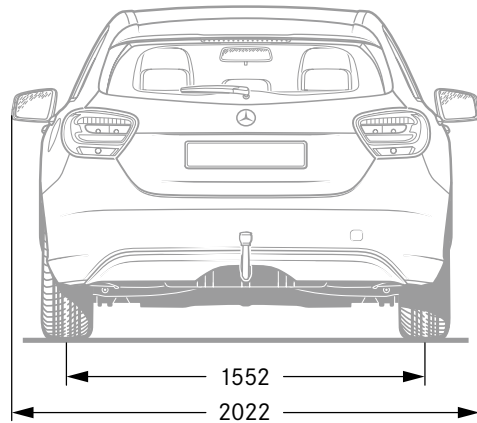
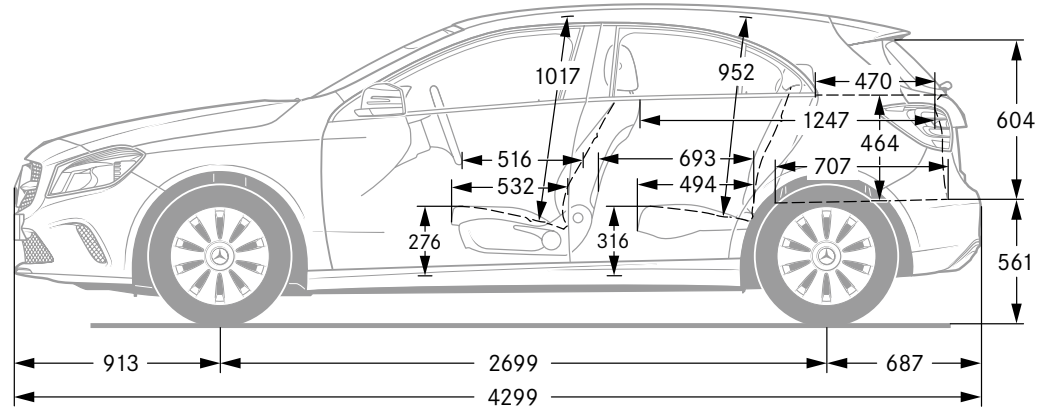
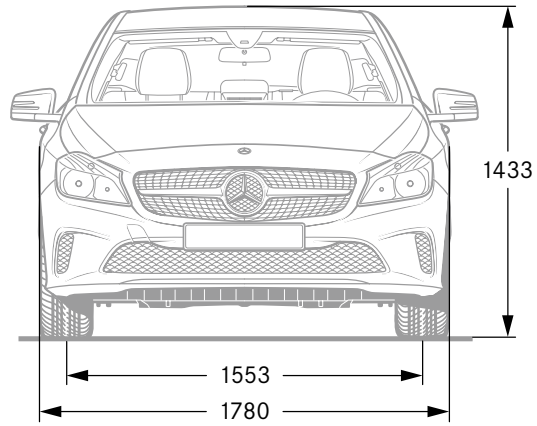
The best for the engine:
Genuine Mercedes-Benz engine oils.

¹ Figures for rated output and rated torque in accordance with Regulation (EC) No. 595/2009 in the currently applicable version. ² Electronically governed. ³ AMG Driver's package (optional). ⁴ The figures stated for fuel consumption and CO₂ emissions were determined in accordance with the prescribed measuring process (Section 2, nos. 5, 6, 6a of the passenger car energy labelling ordinance in the currently applicable version). The figures are not based on an individual vehicle and do not constitute part of the product offer; they are provided solely for purposes of comparison between different vehicle models. Figures vary depending on wheels/tyres. ⁵ Figure only valid within the European Union. May vary from country to country. ⁶ Determined on

Petrol engines	A 160	A 180	A 180 BE Edition	A 200	A 220 4MATIC	A 250	A 250 4MATIC	A 250 Sport	A 250 Sport 4MATIC	Mercedes-AMG A 45 4MATIC
No./arrangement of cylinders	4/in-line	4/in-line	4/in-line	4/in-line	4/in-line	4/in-line	4/in-line	4/in-line	4/in-line	4/in-line
Displacement (cc)	1595	1595	1595	1595	1991	1991	1991	1991	1991	1991
Rated output ¹ (kW (hp) at rpm)	75 (102)/ 4500-6000	90 (122)/ 5000	90 (122)/ 5000	115 (156)/ 5300	135 (184)/ 5500	155 (211)/ 5500	155 (211)/ 5500	160 (218)/ 5500	160 (218)/ 5500	280 (381)/ 6000
Rated torque ¹ (Nm at rpm)	180/1200-3500	200/1250-4000	200/1250-4000	250/1250-4000	300/1200-4000	350/1200-4000	350/1200-4000	350/1200-4000	350/1200-4000	475/2250-5000
Transmission	6-speed, manual [7G-DCT]	6-speed, manual [7G-DCT]	6-speed, manual [-]	6-speed, manual [7G-DCT]	- [7G-DCT]	6-speed, manual [7G-DCT]	- [7G-DCT]	6-speed, manual [7G-DCT]	- [7G-DCT]	- [AMG SPEEDSHIFT DCT 7-speed sports transmission]
Acceleration 0-100 km/h (s)	10.6 [10.4]	8.9 [8.6]	8.9 [-]	8.1 [7.8]	- [6.9]	6.5 [6.4]	- [6.4]	6.4 [6.3]	- [6.3]	- [4.2]
Top speed (km/h)	190	202	190	224	228	240	240	240	240	250 ² , 270 ³
Front tyres/wheels	195/65 R 15	195/65 R 15	195/65 R 15	205/55 R 16	205/55 R 16	225/45 R 17	225/45 R 17	235/40 R 18	235/40 R 18	235/40 R 18
Rear tyres/wheels	195/65 R 15	195/65 R 15	195/65 R 15	205/55 R 16	205/55 R 16	225/45 R 17	225/45 R 17	235/40 R 18	235/40 R 18	235/40 R 18
Fuel	Premium petrol	Premium petrol	Premium petrol	Premium petrol	Premium petrol	Premium petrol	Premium petrol	Premium petrol	Premium petrol	Super Plus petrol
Fuel consumption ⁴ (l/100 km)										
Urban	7.2 [6.9-6.8]	7.6-7.5 [6.9-6.8]	6.9 [-]	7.6-7.5 [6.9-6.8]	- [8.5-8.4]	8.7-8.6 [8.0-7.9]	- [8.5]	8.9 [8.1]	- [8.5]	- [9.6-9.2]
Extra-urban	4.5-4.3 [4.7-4.3]	4.6-4.3 [4.7-4.3]	4.1 [-]	4.6-4.4 [4.7-4.3]	- [5.6-5.3]	5.4-5.2 [5.0-4.9]	- [5.6-5.5]	5.5 [5.2]	- [5.7]	- [6.0-5.6]
Combined	5.6-5.4 [5.5-5.2]	5.7-5.5 [5.5-5.2]	5.2 [-]	5.7-5.5 [5.5-5.2]	- [6.7-6.4]	6.7-6.6 [6.1-5.9]	- [6.7-6.6]	6.8 [6.3]	- [6.7]	- [7.3-6.9]
CO ₂ emissions ⁴ , combined (g/km)	128-124 [128-121]	134-127 [128-121]	120 [-]	134-128 [128-121]	- [156-150]	154-151 [141-138]	- [156-154]	158 [145]	- [156]	- [171-162]
Emission class ⁵ /efficiency class ⁶	Euro 6/B [B]	Euro 6/C [B]	Euro 6/B [-]	Euro 6/B [B]	Euro 6/- [C]	Euro 6/D [C]	Euro 6/- [D]	Euro 6/D [C]	Euro 6/- [D]	Euro 6/- [D]
Tank capacity, with reserve (l)	50/6	50/6	50/6	50/6	56/6	50/6	56/6	50/6	56/6	56/8
Boot capacity (l)	341-1157	341-1157	341-1157	341-1157	341-1157	341-1157	341-1157	341-1157	341-1157	341-1157
Turning circle (m)	11.00	11.00	11.00	11.00	11.00	11.00	11.00	11.00	11.00	11.04
Kerb weight ⁷ /payload (kg)	1370/565 [1395/540]	1370/565 [1395/540]	1370/555 [-]	1370/565 [1395/540]	- [1500/525]	1395/565 [1435/525]	- [1505/525]	1415/545 [1455/505]	- [1505/525]	- [1555/495]
Perm. GVW (kg)	1935 [1935]	1935 [1935]	1925 [-]	1935 [1935]	- [2025]	1960 [1960]	- [2030]	1960 [1960]	- [2030]	- [2050]

the basis of the measured CO₂ emissions, taking into account the mass of the vehicle. ⁷ Kerb weight figures according to Directive 92/21/EC in the currently applicable version (kerb weight with fuel tank 90% full, driver, 68 kg, and luggage, 7 kg) for standard-specification vehicles. Optional extras and accessories will generally increase this figure and reduce the payload capacity accordingly. Figures in square brackets refer to engines in conjunction with automatic transmission. You can find further technical data at www.mercedes-benz.com

Dimensions.



All dimensions in millimetres. The dimensions shown are mean values and apply to standard-specification, unladen vehicles.

Upholstery and trim.

Upholstery

- 001 Venlo fabric in black¹
- 021 Hilversum fabric in black²
- 028 Hilversum fabric in crystal grey²
- 111 ARTICO man-made leather in black²
- 118 ARTICO man-made leather in crystal grey²
- 378 ARTICO man-made leather/Maringá fabric in crystal grey³
- 381 ARTICO man-made leather/Maringá fabric in black³
- 461 ARTICO man-made leather/Messancy fabric in black/green³
- 471 ARTICO man-made leather/Messancy fabric in black/red³
- 651 ARTICO man-made leather/DINAMICA microfibre in black³
- 801 Exclusive leather package in black³
- 804 Exclusive leather package in nut brown³
- 811 AMG Exclusive leather package in black RED CUT³
- 855 Exclusive leather package in sahara beige/black³

Trim

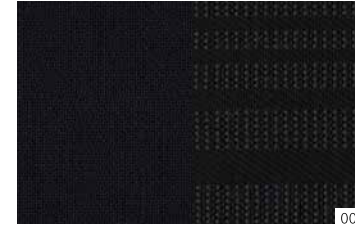
Honeycomb-look (standard equipment, Seat Comfort package, Style design and equipment line)

Chequerboard-look (Urban design and equipment line)

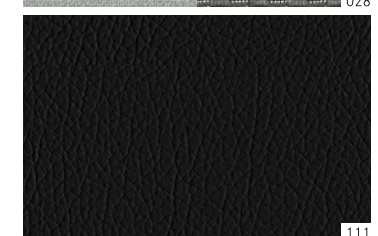
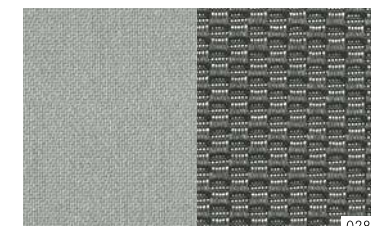
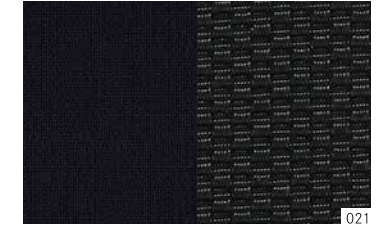
Carbon-fibre-look (AMG Line, Mercedes-AMG A 45 4MATIC, AMG Exclusive package)

Leather-look, perforated (Exclusive package)

Standard equipment

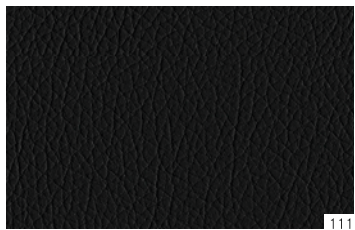
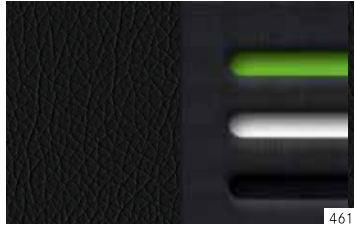


Seat Comfort package⁴

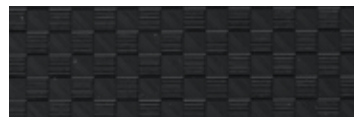
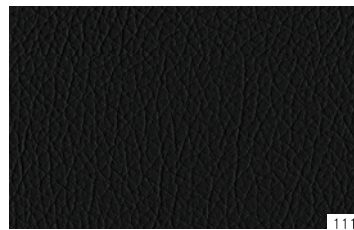
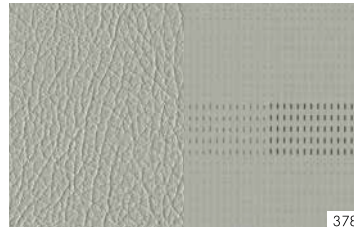
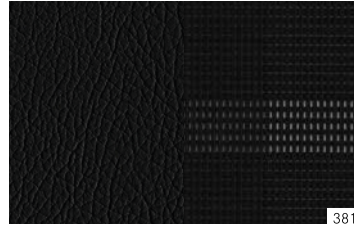


¹ Standard seat. ² Comfort seat. ³ Sports seat. ⁴ Optional extra.

Style⁴



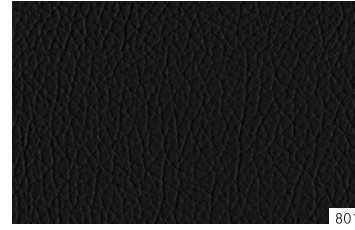
Urban⁴



AMG Line⁴/Mercedes-AMG A 45 4MATIC



Exclusive package⁴



AMG Exclusive package⁴

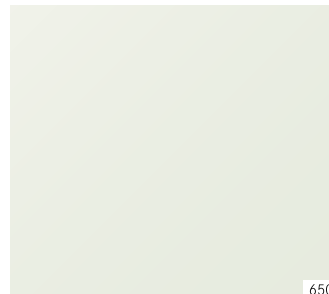


Paintwork.

Non-metallic paints



589



650



696

Metallic paints¹



175



890



191



895



761



990



787

designo paint¹



662

Non-metallic paints

- 589 jupiter red
- 650 cirrus white
- 696 night black

Metallic paints¹

- 175 elbaite green
- 191 cosmos black
- 761 polar silver
- 787 mountain grey
- 890 cavansite blue
- 895 canyon beige
- 990 orient brown

designo paint¹

- 662 designo mountain grey magno

¹ Optional extra.



Mercedes-Benz is one of the founding partners of the “Laureus Sport for Good Foundation”.

Since the foundation was established in 2000, Mercedes-Benz has been supporting and promoting the aims and values of this worldwide non-profit-making programme: to use social sports projects to improve the lives of children and young people who are disadvantaged or suffering from illness. Laureus has become a fundamental element of Mercedes-Benz’s social responsibility. Every new Mercedes is an ambassador embodying these values. In buying a Mercedes you are supporting the “Laureus Sport for Good Foundation”.

Please note: changes may have been made to the product since this brochure went to print (04.07.2017). The manufacturer reserves the right to make changes to the design, form, colour and specification during the delivery period, provided these changes, while taking into account the interests of the vendor, can be deemed reasonable with respect to the purchaser. Where the vendor or the manufacturer uses symbols or numbers to describe an order or the subject of an order, no rights may be derived solely from these. The illustrations may show accessories and optional extras which are not part of standard specification. Colours may differ slightly from those shown in the brochure, owing to the limitations of the printing process. This brochure is distributed internationally. It provides a general indication of the range of models, features, optional extras, colours and/or services available in various countries. Some of the models, features, optional extras, colours and/or services shown may not be available in your country or may only be available in a different specification. Additionally some models, features, optional extras, colours and/or services may only be available in combination with others. For current and more specific information in relation to the range of models, features, optional extras, colours and/or services available in your country, and their pricing, you should contact your nearest authorised Mercedes-Benz Passenger Car Dealer.

www.mercedes-benz.com

Take-back of end-of-life vehicles. You can return your A-Class to us for environment-friendly disposal in accordance with the European Union (EU) End-Of-Life Vehicle Directive. But that day lies a long way off.

A network of vehicle take-back depots and dismantlers has been established to make it as easy as possible for you to return your vehicle. You can leave it at any of these points free of charge and, by so doing, make an important contribution to completing the recycling process and conserving resources.

For further information about the recycling and disposal of end-of-life vehicles, and the take-back conditions, please visit the national Mercedes-Benz website.